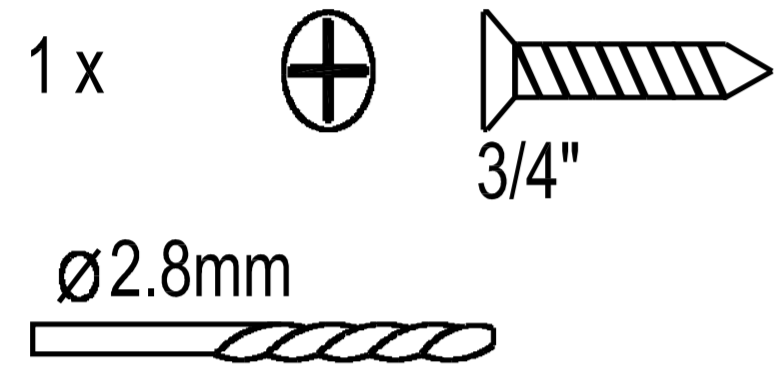


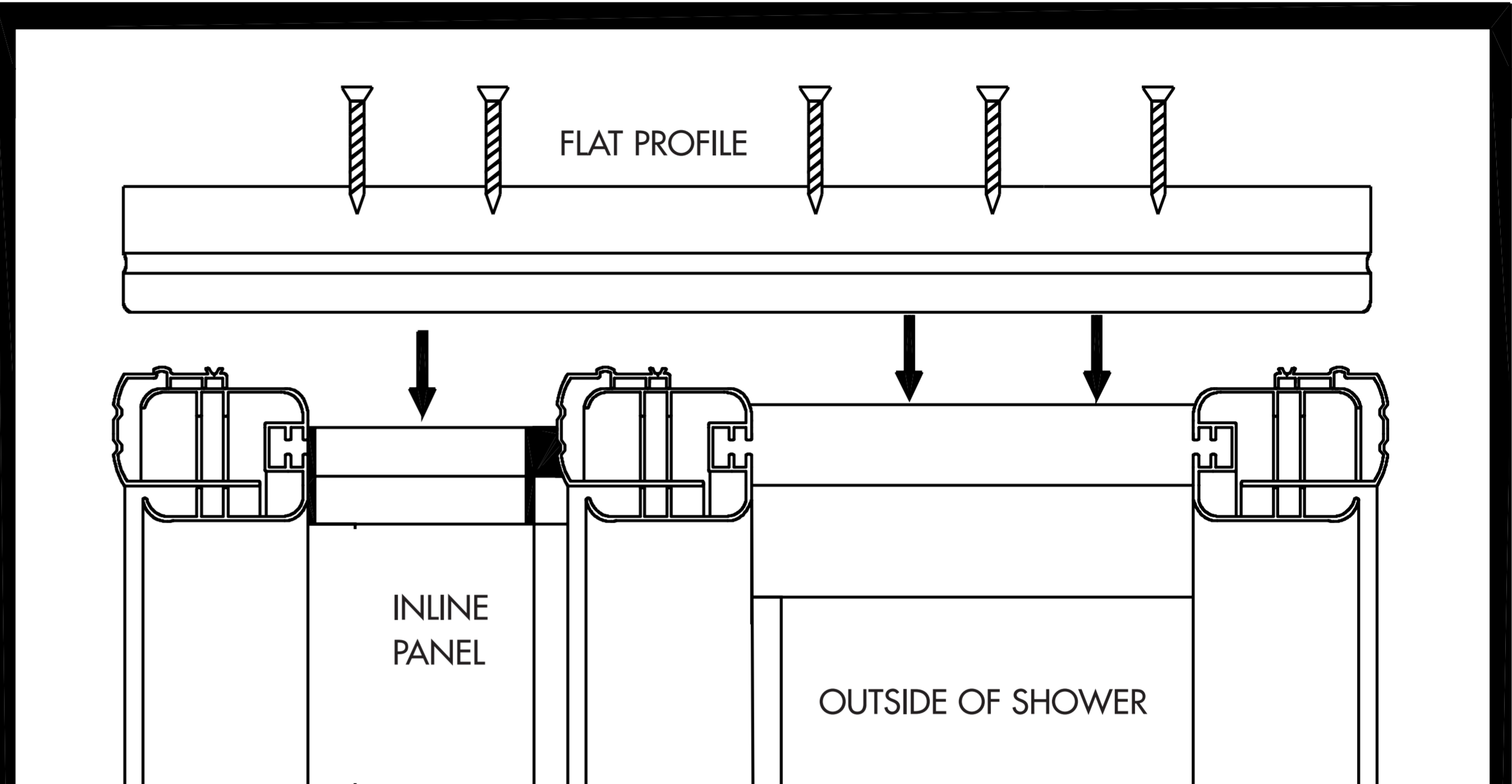
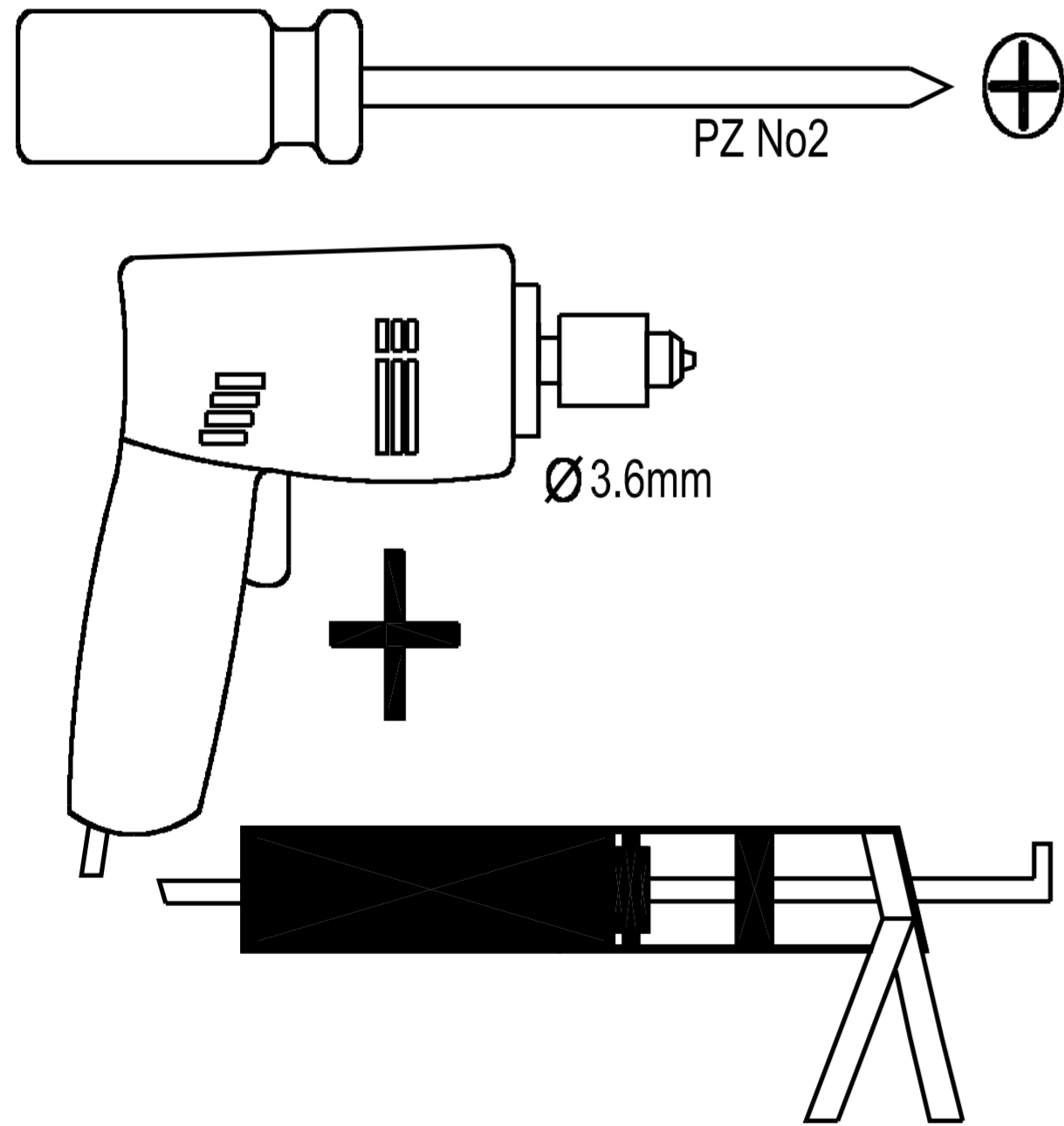
ULTRA INLINE PANEL

FIT WALL PROFILES AS SHOWN IN DOOR INSTRUCTIONS
 FIT PANEL AND DOOR ITO WALL PROFILES MAKEING SURE TO KEEP THEM IN A STRAIGHT LINE

ULTRA INLINE FITTING KIT SUPPLIED

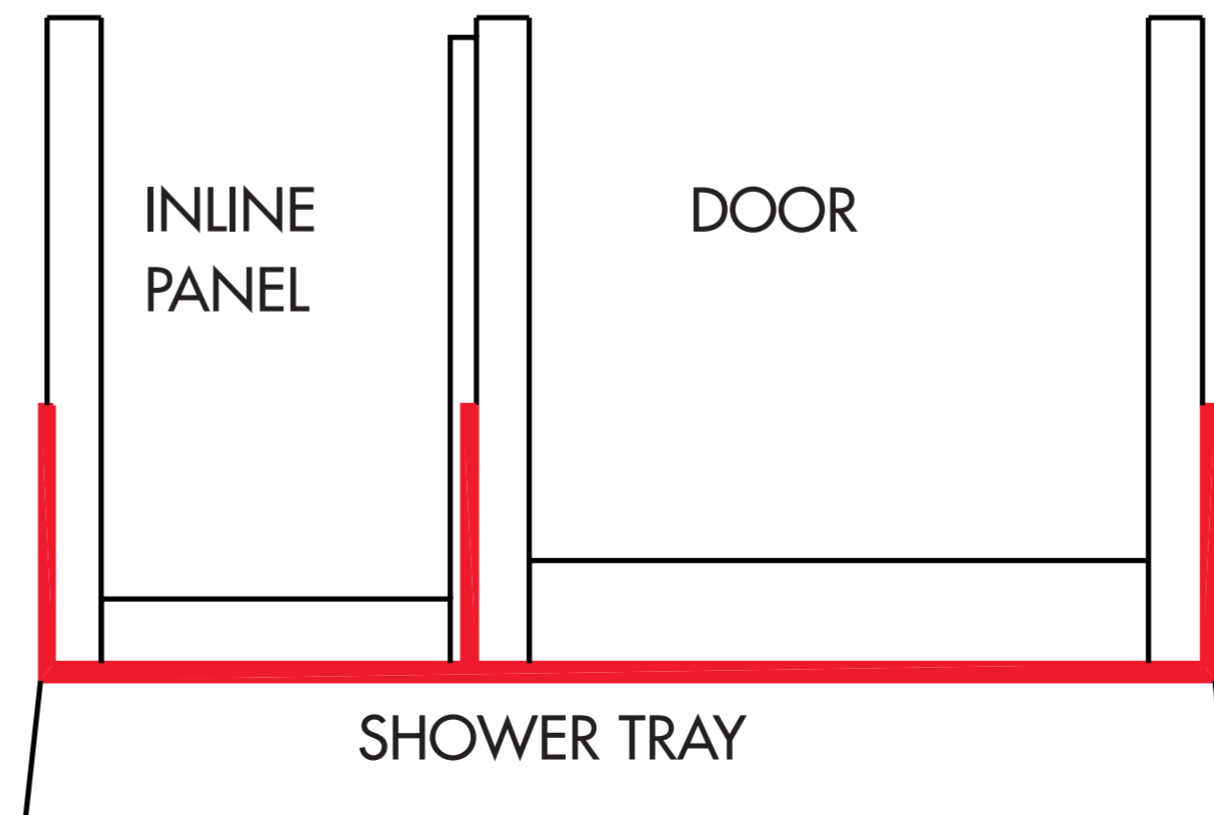


TOOLS YOU WILL NEED



CUT FLAT PROFILE TO LENGTH AND POSITION ALONG TOP OF PANEL AND DOOR MAKING SURE TO KEEP OUTER EDGE FLUSH WITH OUTERMOST EDGE OF DOOR.

Seal bottom of door and panel to tray on outside only and leave to set for 24 hours. Seal inside of verticals on inline panel as per door



outer edge of flat profile

Drill 5 holes
 2 for panel
 3 for door

Drill flat profile with 3.6mm bit not included, drill door and inline panel with 2.8mm bit supplied

