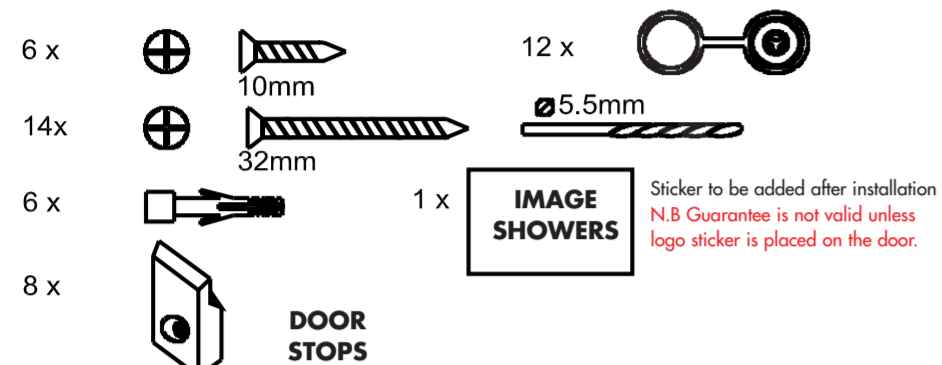
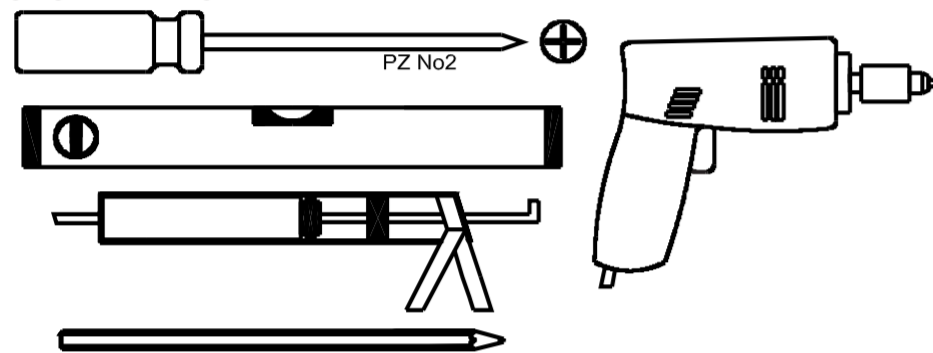


FITTING INSTRUCTIONS FOR DIAMOND QUADRANT SURROUND

FITTING KIT



TOOLS YOU WILL NEED



ATTENTION!

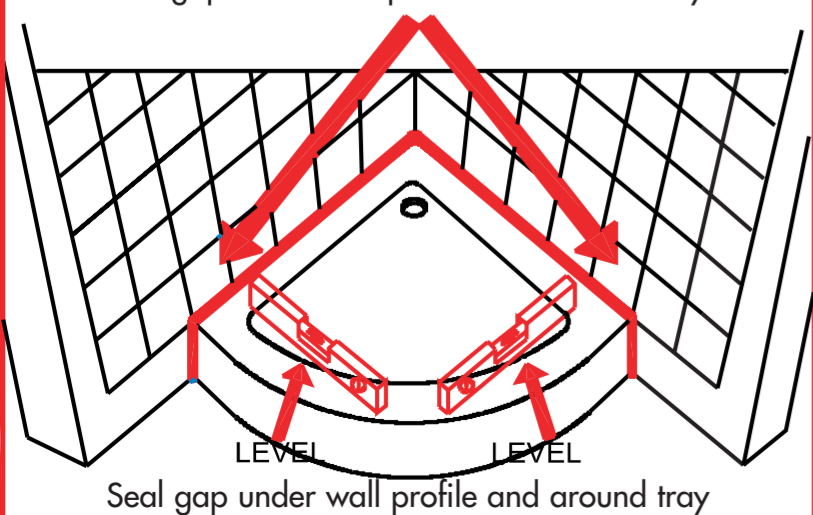
PLEASE INSPECT CONTENTS IMMEDIATELY ON RECEIPT FOR ANY DAMAGE CAUSED DURING TRANSIT. ANY CLAIMS MADE LATER CANNOT BE ACCEPTED

BEFORE INSTALLING THE SHOWER DOOR CHECK THAT THE TRAY IS LEVEL AND PROPERLY SEALED AT THE WALL. THE ENCLOSURE WHEN COMPLETED MUST NOT OVERHANG THE OUTSIDE OF THE TRAY. CHECK THE OPERATION OF THE DOOR BEFORE SEALING.

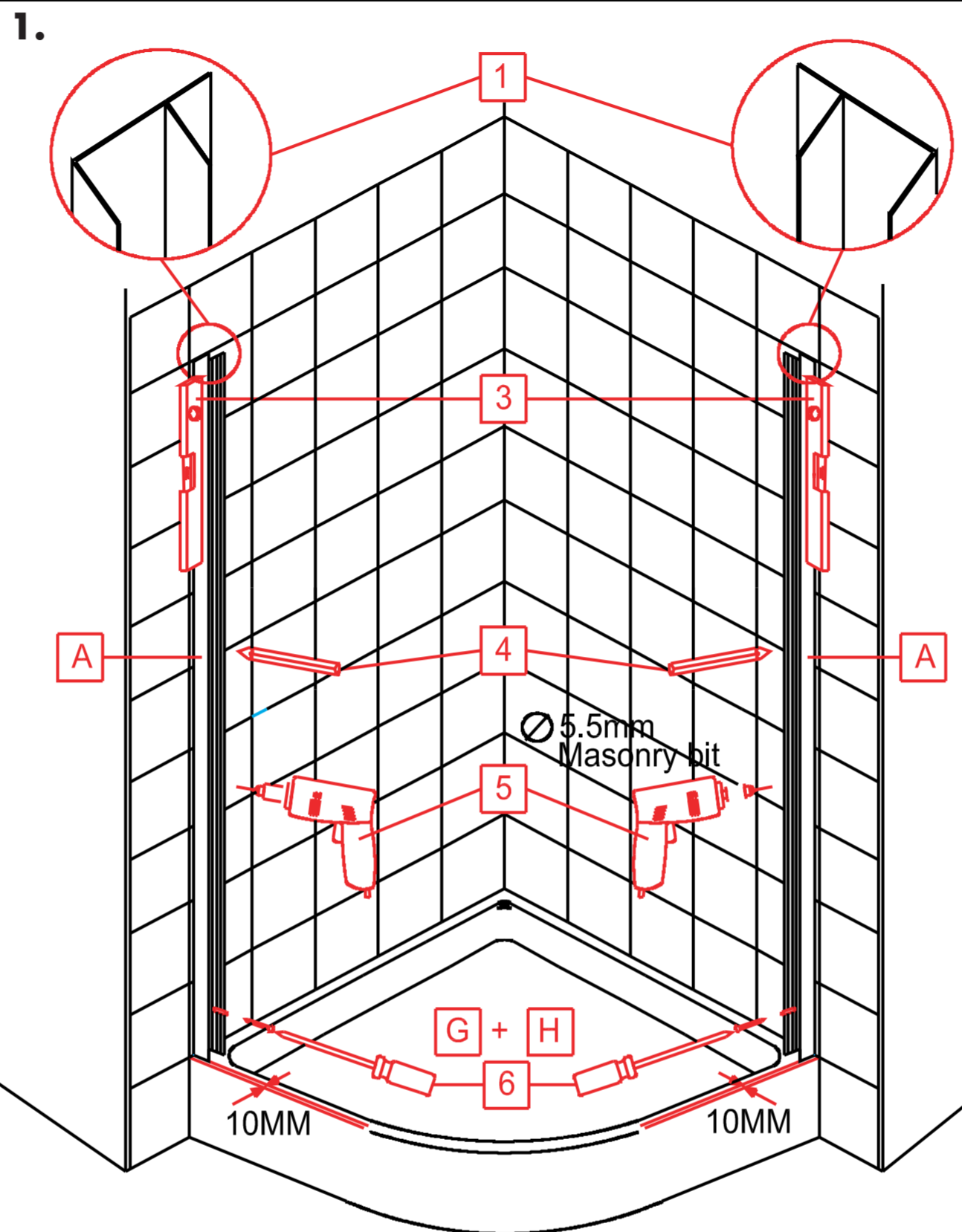
IMAGE SHOWERS ARE DESIGNED TO BE INSTALLED OVER TILING. THE TRAY MUST BE PROPERLY SEALED ALL AROUND THE EDGES WHERE IT MEETS THE TILING AND OR WALLS

LEVEL TRAY AND SEAL

Seal gap under wall profile and around tray



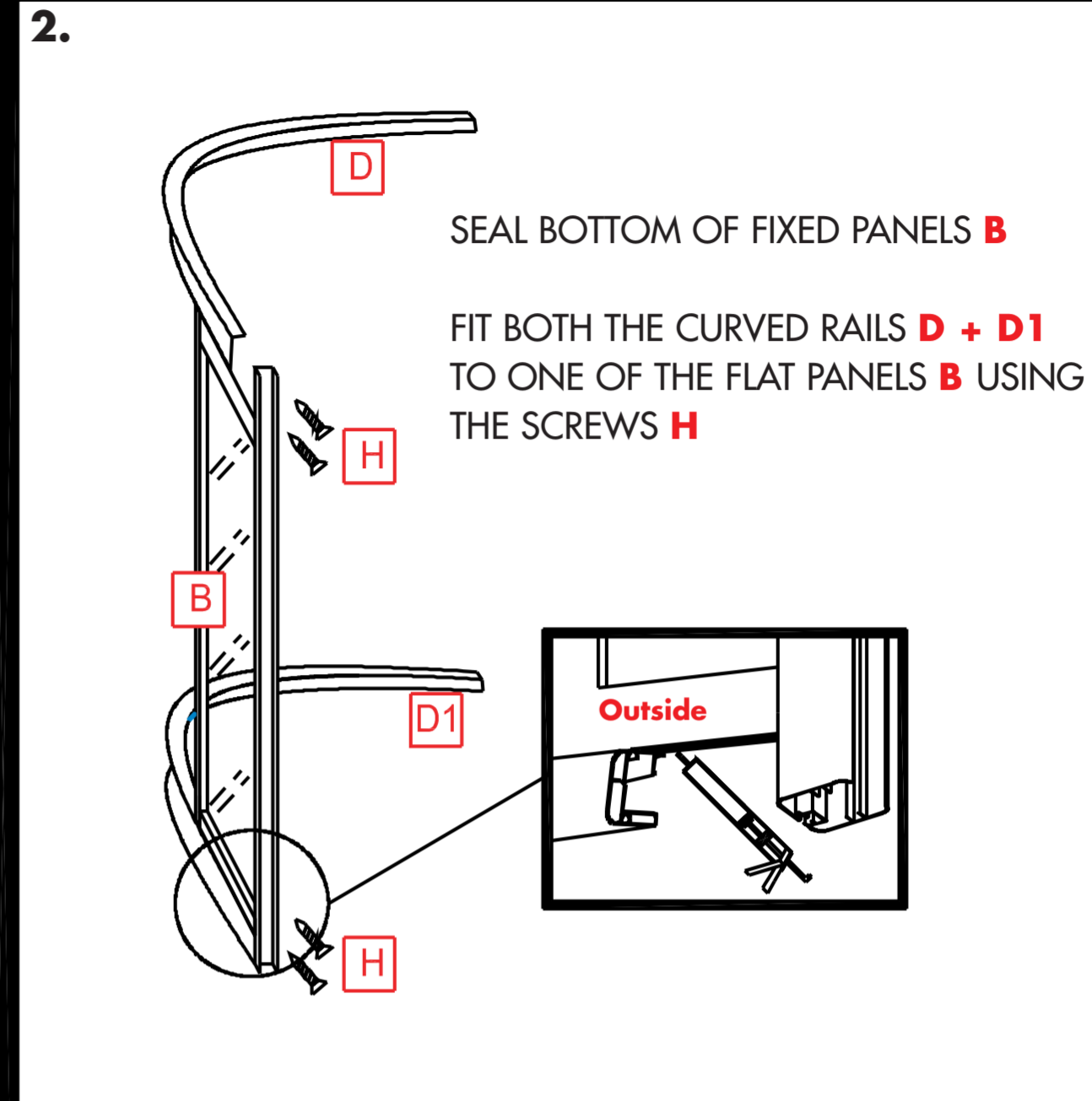
ALWAYS USE A GOOD QUALITY SILICON SEALANT WHERE INDICATED



INSTALL THE WALL PROFILES **A**

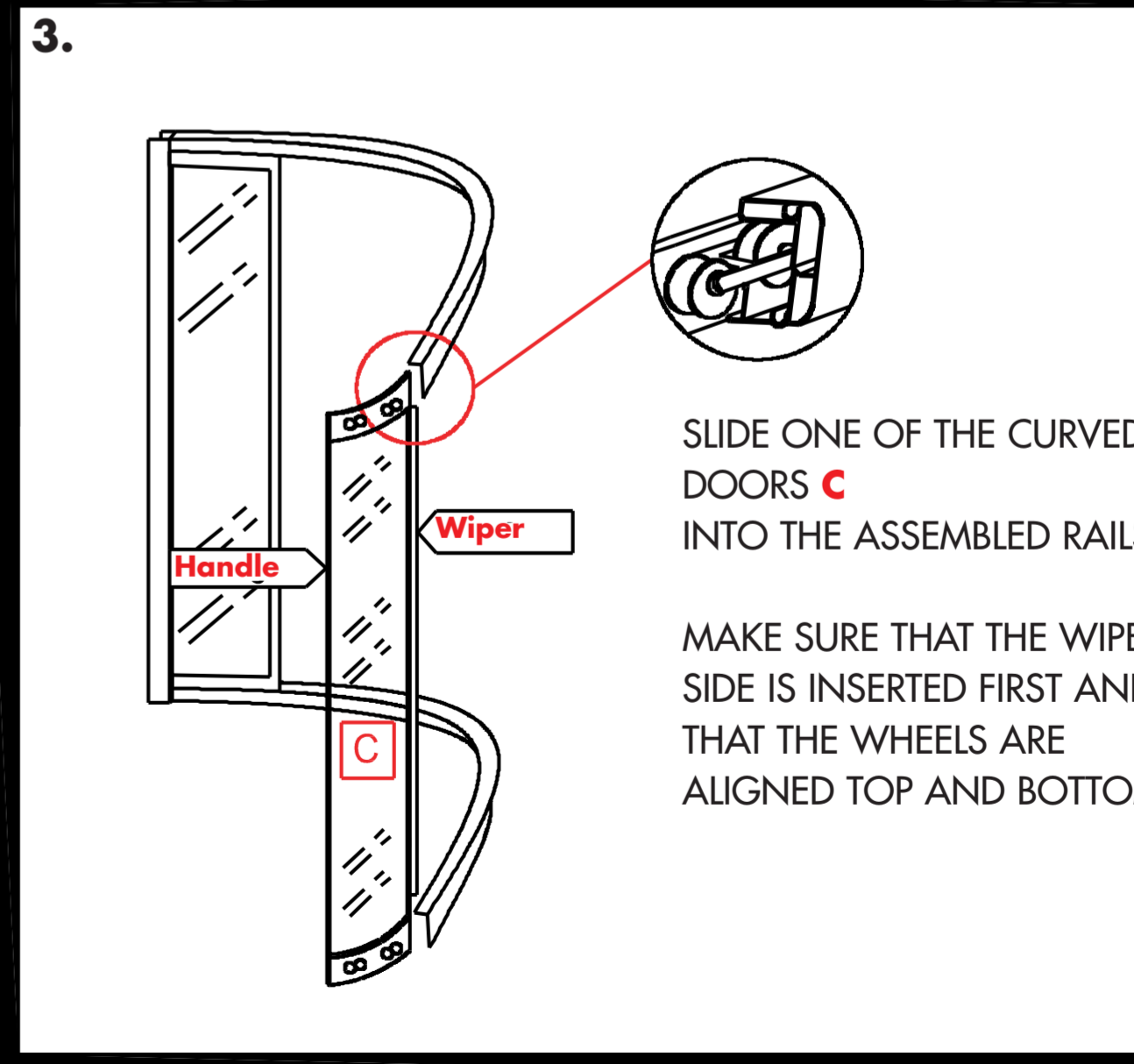
MAKE SURE THEY ARE POSITIONED AS SHOWN

1. THE RIGHT WAY AROUND
2. 10MM IN FROM THE EDGE OF THE TRAY
3. THE PROFILES MUST BE VERTICAL. USE A SPIRIT LEVEL AS SHOWN
4. MARK THE POSITION FOR DRILLING THROUGH THE PRE DRILLED HOLES IN THE PROFILE
5. REMOVE THE PROFILES AND DRILL THE HOLES USING A 5.5mm MASONRY DRILL BIT, THEN INSERT THE PLUGS **G** PROVIDED.
6. REPLACE THE PROFILES AND SECURE USING SCREWS **H**



SEAL BOTTOM OF FIXED PANELS **B**

FIT BOTH THE CURVED RAILS **D + D1** TO ONE OF THE FLAT PANELS **B** USING THE SCREWS **H**



SLIDE ONE OF THE CURVED DOORS **C** INTO THE ASSEMBLED RAILS.

MAKE SURE THAT THE WIPER SIDE IS INSERTED FIRST AND THAT THE WHEELS ARE ALIGNED TOP AND BOTTOM

