

# 2820 ULTRA HINGE DOOR

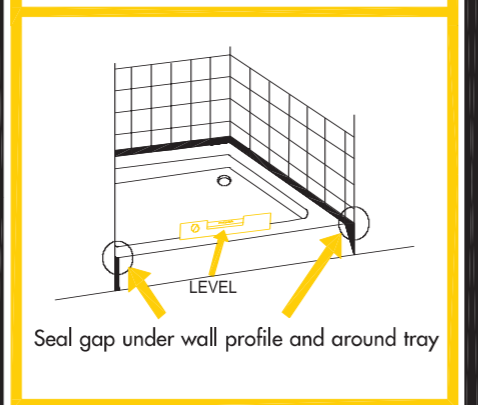
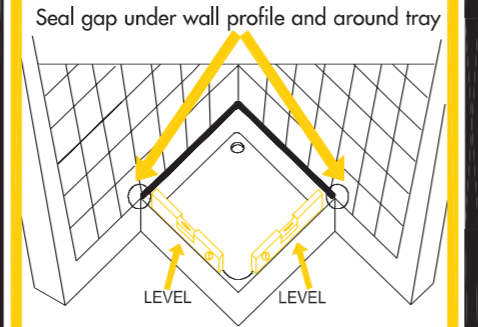
## ATTENTION!

PLEASE INSPECT CONTENTS IMMEDIATELY ON RECEIPT FOR ANY DAMAGE CAUSED DURING TRANSPORT. ANY CLAIMS MADE LATER CANNOT BE ACCEPTED

BIFOLD DOORS AND SIDE PANELS CAN BE INSTALLED EITHER WAY UP TO FACILITATE LEFT OR RIGHT HAND OPENING.

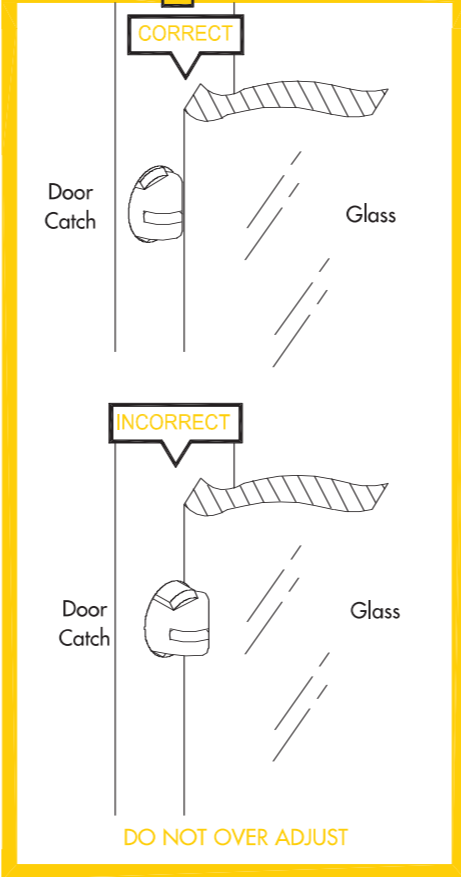
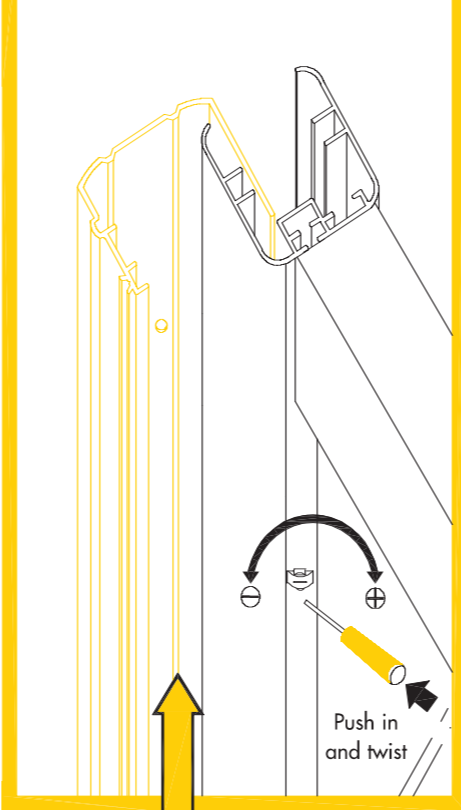
THE ENCLOSURE WHEN COMPLETED MUST NOT OVERHANG THE OUTSIDE EDGES OF THE TRAY

## LEVEL TRAY AND SEAL

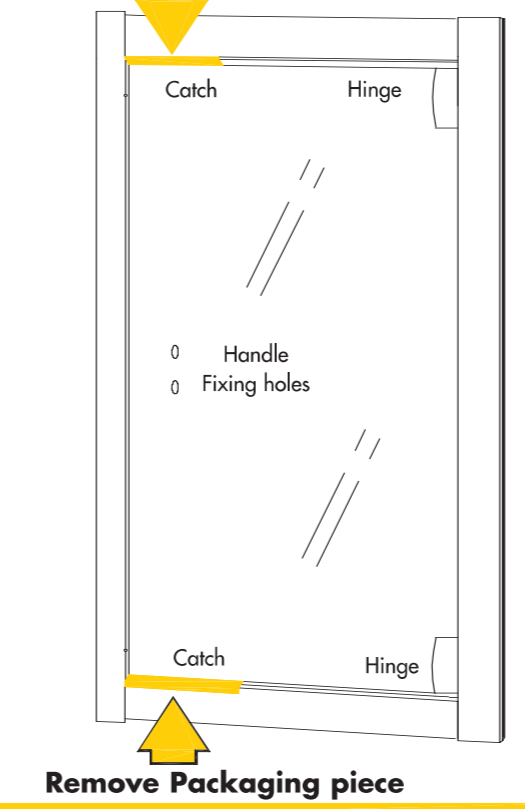


BEFORE INSTALLING YOUR NEW IMAGE SHOWER DOOR PLEASE CHECK THAT YOUR SHOWER TRAY IS LEVEL AND PROPERLY SEALED

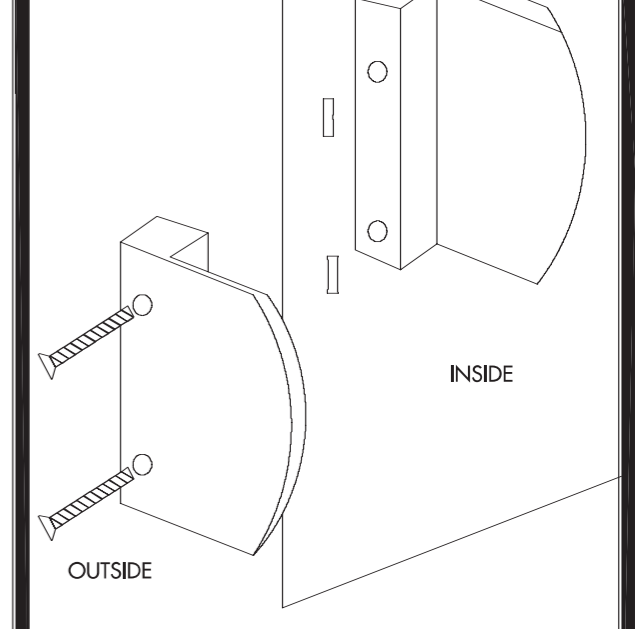
## Catch Adjustment



## Remove Packaging piece

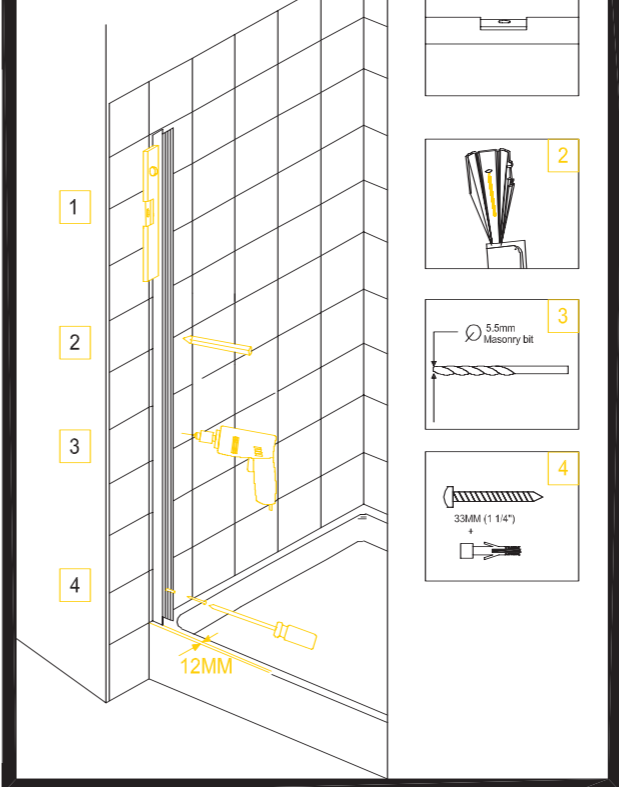


## A. Fit Handle

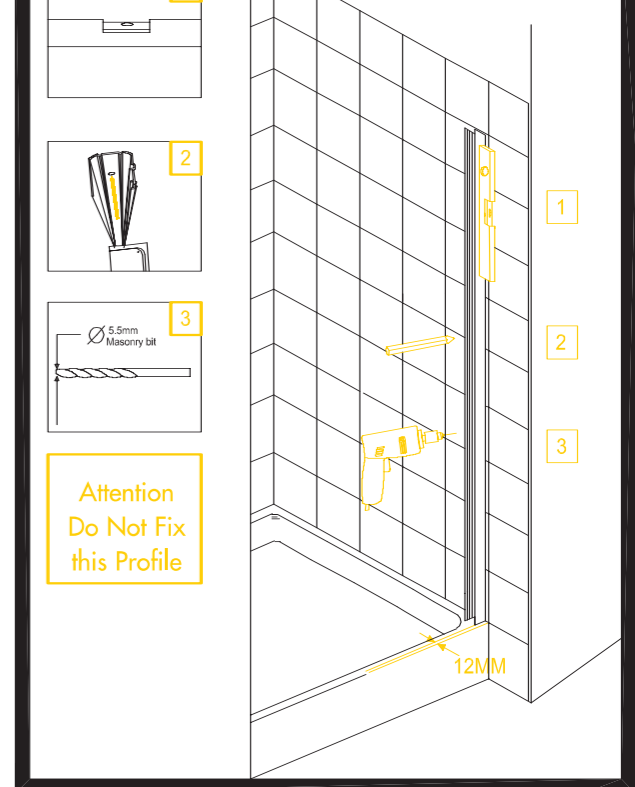


To install handle, ensure you insert the oval shaped washer on the inside of the glass

## B. Wall Profile Handle Side



## C. Wall Profile Hinge Inside



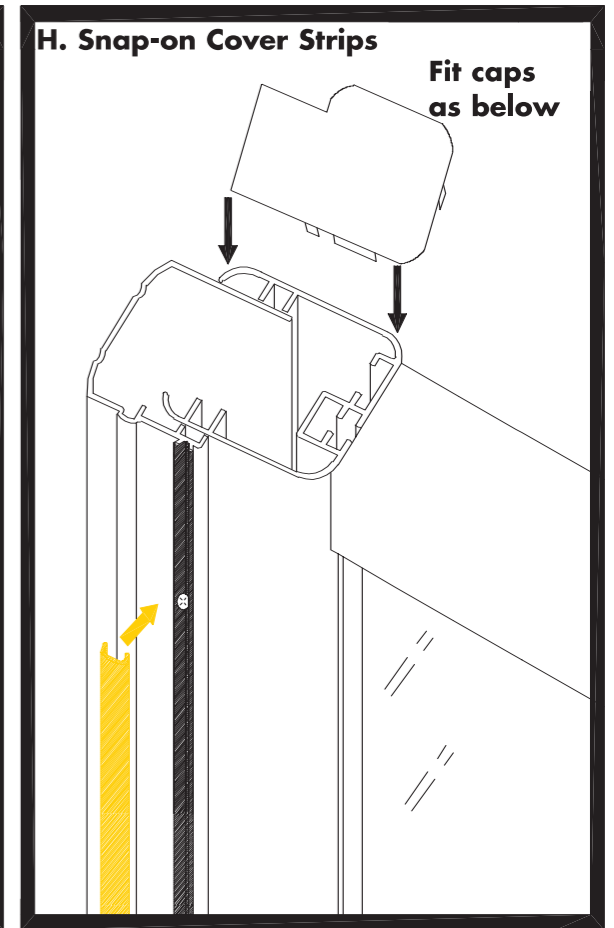
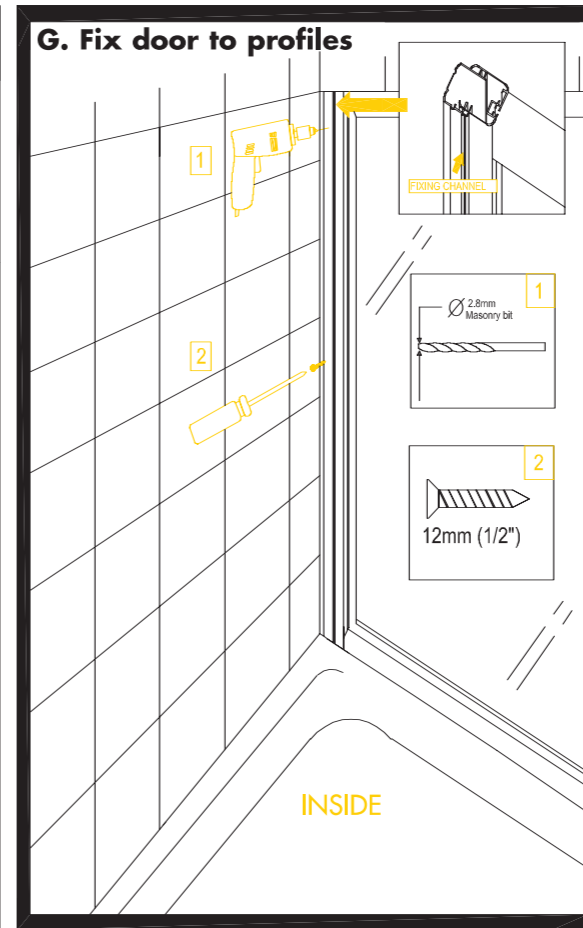
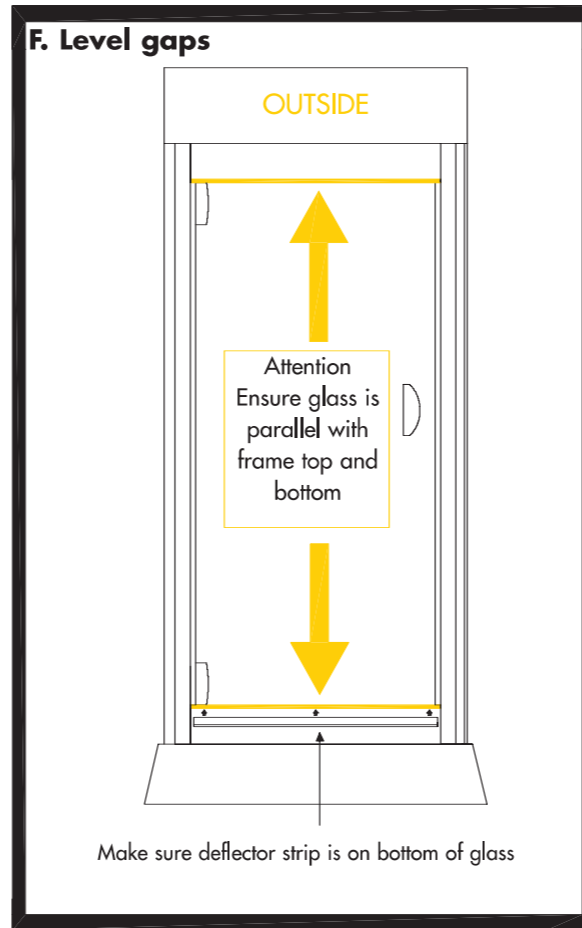
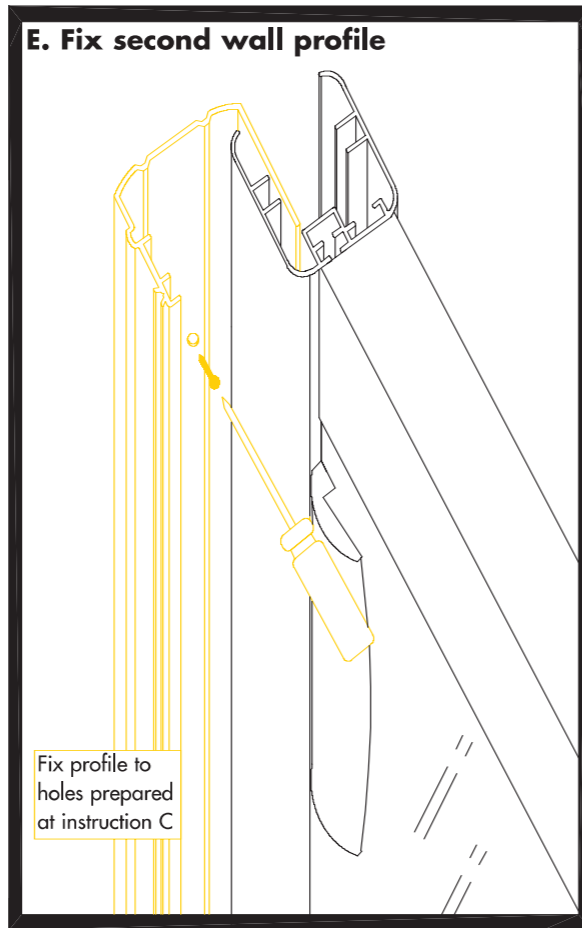
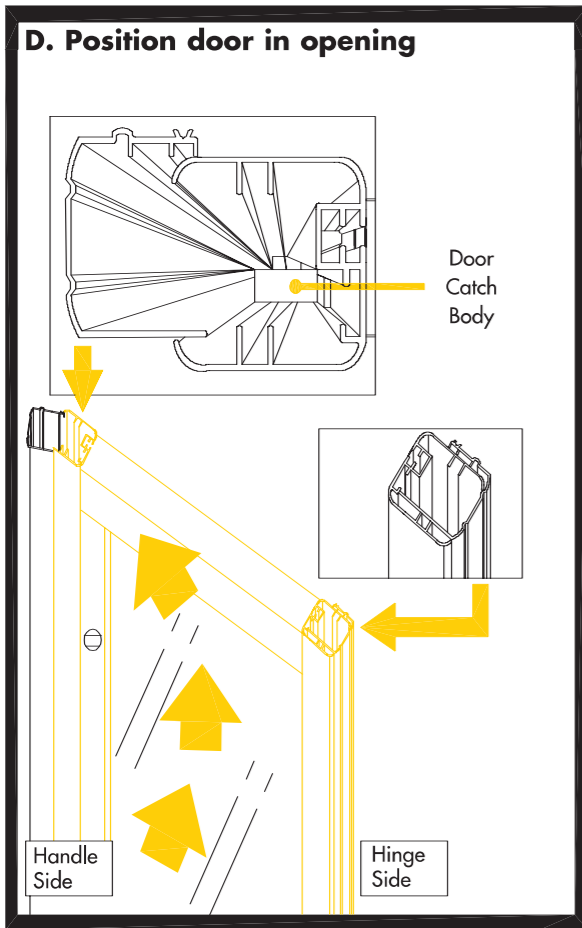
Attention Do Not Fix this Profile

## FITTING KIT

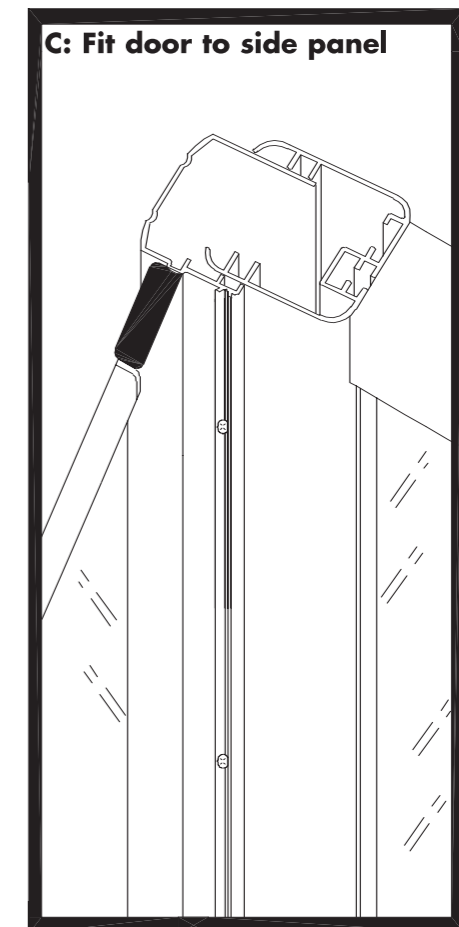
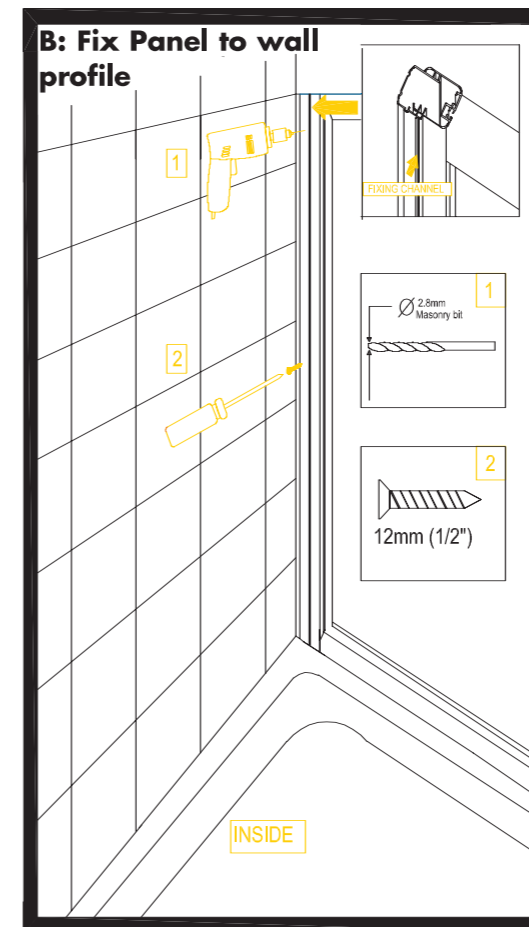
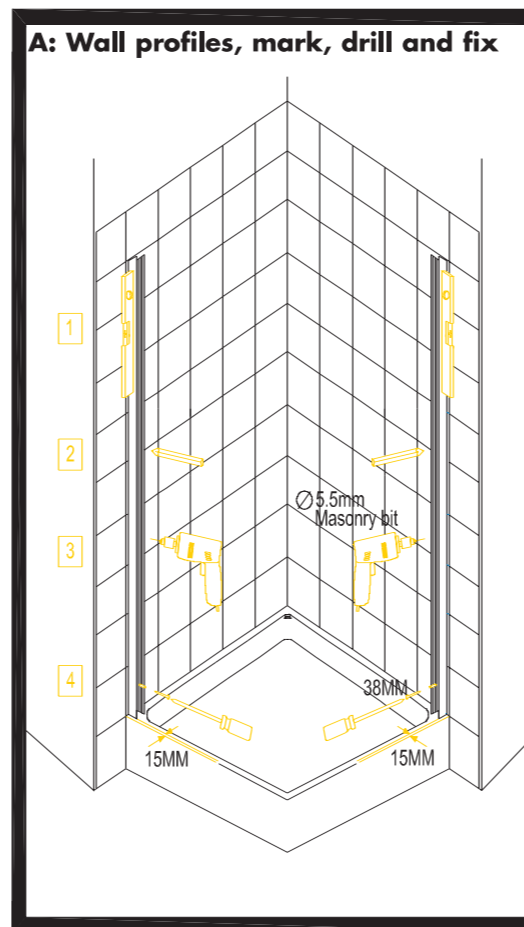
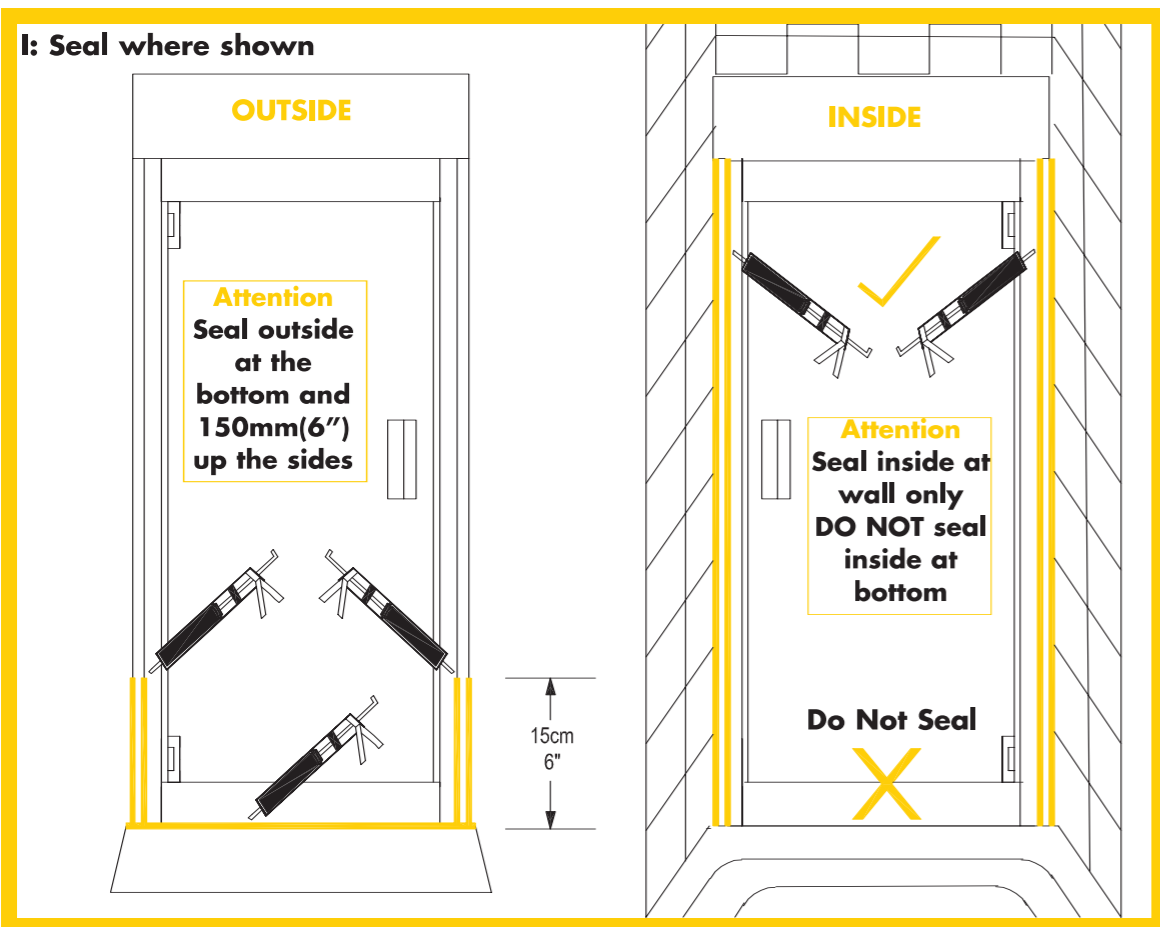
- 8 x 1/2"
- 6 x 1 1/2"
- 6 x Ø2.8mm
- 1 x Right 1 x
- 1 x Left 1 x
- 2 x
- 1 x Deflector strip
- 1 x IMAGE SHOWERS Sticker to be added after installation. N.B Guarantee is not valid unless logo sticker is placed on the door.

## Tools you will need

- PZ No2
- 
- Ø5.5mm Masonry
- 5mm Allen Key
-



## SIDE PANEL FITTING INSTRUCTIONS



SEE INSTRUCTIONS G,H,I FOR COMPLETION OF ENCLOSURE