


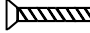
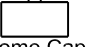
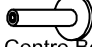



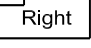


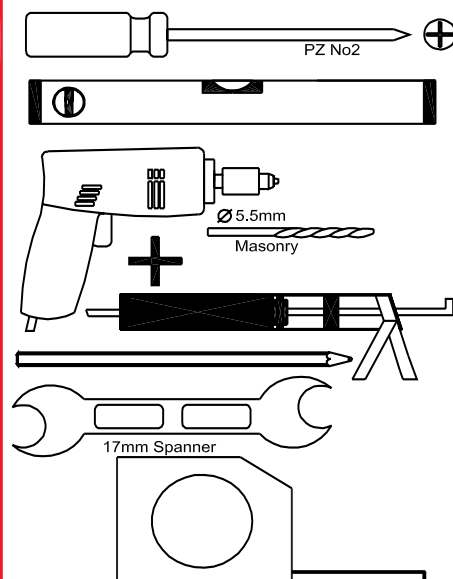


# IMAGE SHOWERS ALLURE QUADRANT DOORS

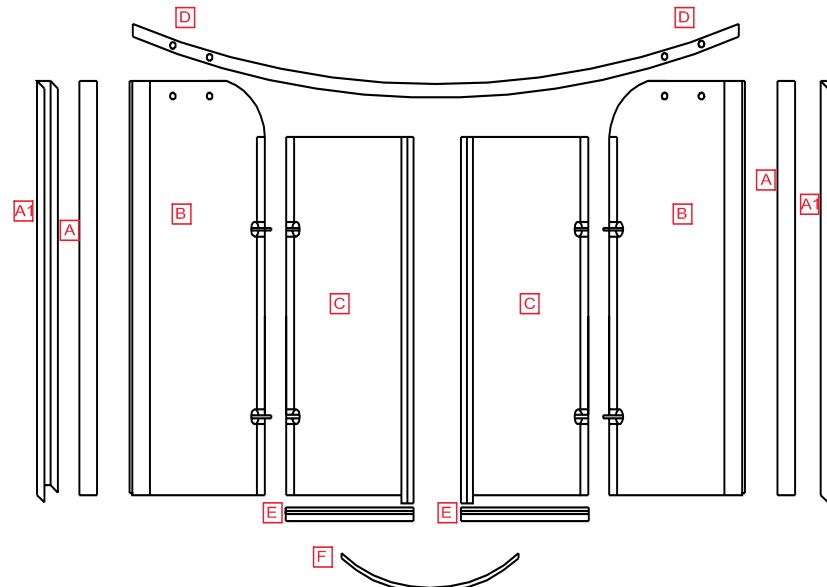
## FITTING KIT SUPPLIED

- 8 x  1/4" (32mm)
- 8 x 
- 4 x  Shoulder Bush
- 4 x  M5 x 20mm Bolt
- 4 x  Dome Cap
- 4 x  Centre Bolt
- 4 x  Bush
- 4 x  8mm Bush
- 2 x 
- 1 x  Right
- 1 x  Left
- 1 x  **IMAGE SHOWERS** Sticker to be added after installation.  
N.B. Guarantee is not valid unless logo sticker is placed on the door.

## TOOLS YOU WILL NEED

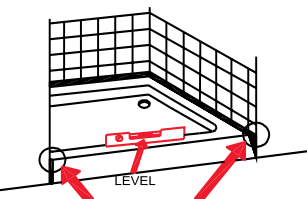
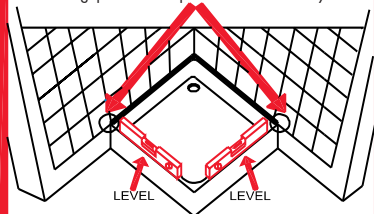


## MAJOR COMPONENTS



### LEVEL TRAY AND SEAL

Seal gap under wall profile and around tray



Seal gap under wall profile and around tray

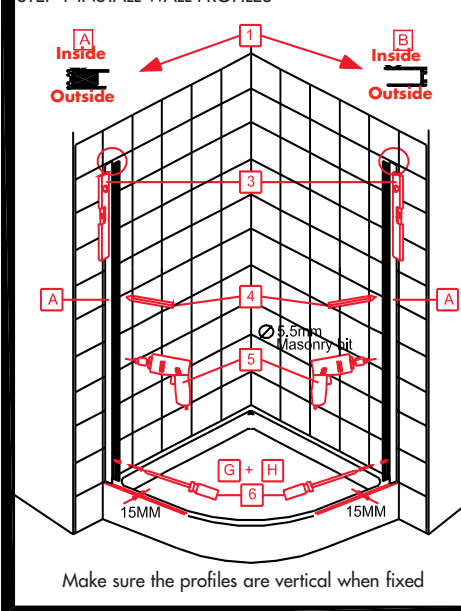
## ATTENTION!

**PLEASE INSPECT CONTENTS IMMEDIATELY ON RECEIPT FOR ANY DAMAGE CAUSED DURING TRANSIT. ANY CLAIMS MADE LATER CANNOT BE ACCEPTED**

**BEFORE INSTALLING THE SHOWER DOOR CHECK THAT THE TRAY IS LEVEL AND PROPERLY SEALED AT THE WALL. THE ENCLOSURE WHEN COMPLETED MUST NOT OVERHANG THE OUTSIDE OF THE TRAY. CHECK THE OPERATION OF THE DOOR BEFORE SEALING.**

**IMAGE SHOWERS ARE DESIGNED TO BE INSTALLED OVER TILING. THE TRAY MUST BE PROPERLY SEALED ALL AROUND THE EDGES WHERE IT MEETS THE TILING AND OR WALLS**

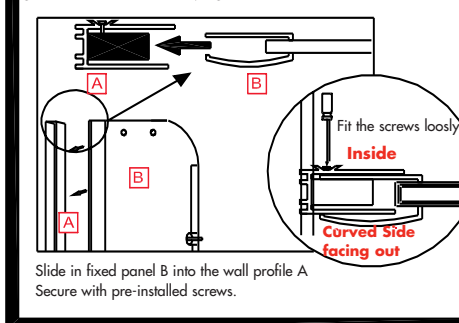
### STEP 1 INSTALL WALL PROFILES



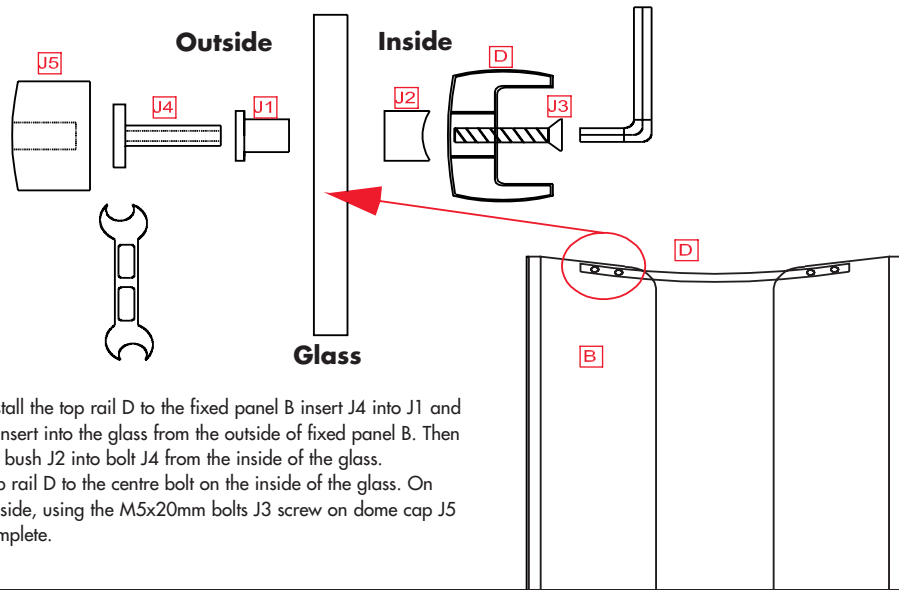
### STEP 1 INSTALL WALL PROFILES

1. Make sure the wall profiles are fitted the right way around.
2. Align wall profiles A vertically to tiled wall, in 15mm from the rim of the tray.
3. Mark position for the 6 holes and drill using a 5.5mm masonry drill bit and insert the plugs.
4. Replace the profiles and fix to the walls using the 6x32mm screws provided.
5. Make sure bottom of wall profile is sealed between the tray and wall.

### STEP 2 FIT FIXED PANELS

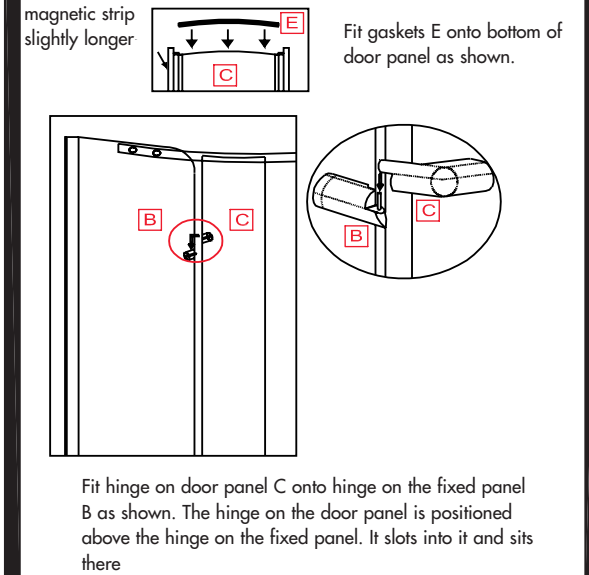


STEP 3 INSTALL HORIZONTAL FRAME

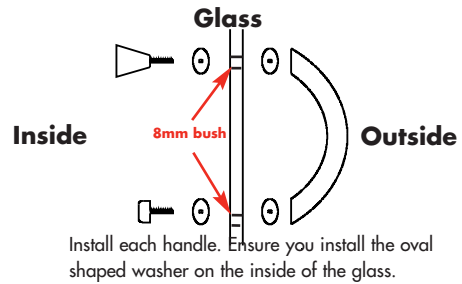


To install the top rail D to the fixed panel B insert J4 into J1 and then insert into the glass from the outside of fixed panel B. Then insert bush J2 into bolt J4 from the inside of the glass. Fit top rail D to the centre bolt on the inside of the glass. On each side, using the M5x20mm bolts J3 screw on dome cap J5 to complete.

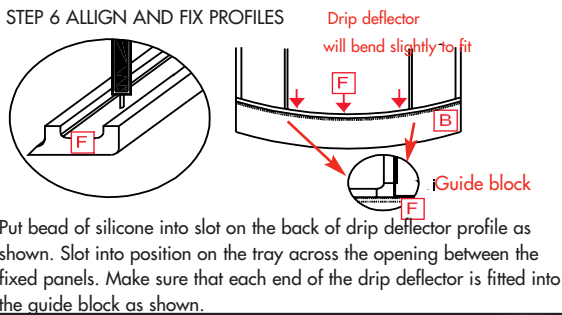
STEP 4 FIT DOOR PANELS



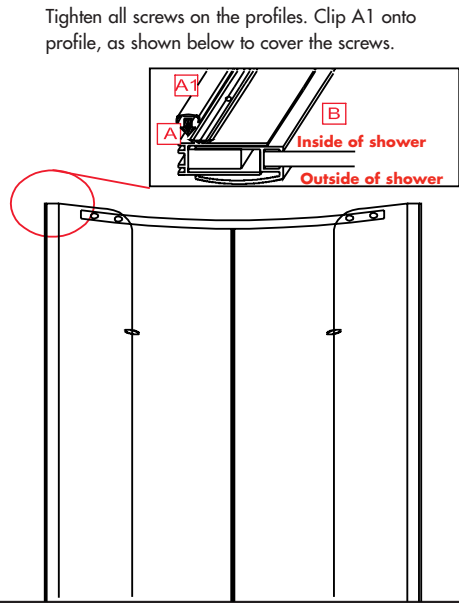
STEP 5 FIT HANDLES



STEP 6 ALIGN AND FIX PROFILES



STEP 7 INSTALL SCREW COVER STRIPS



STEP 9 SEALING

