

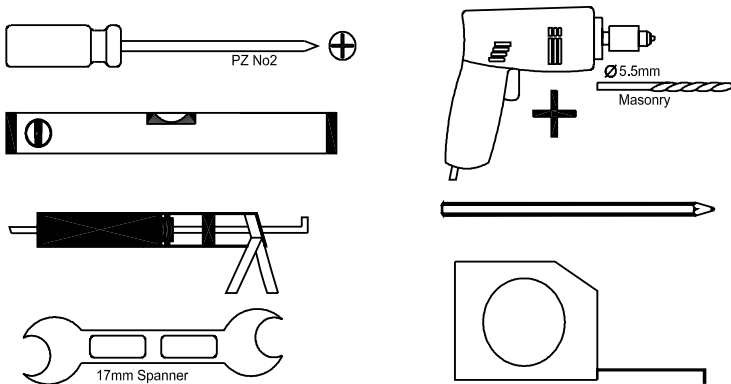
ALLURE HINGED CORNER DOOR



FITTING KIT

- 8 x 1 1/2" 10mm pan screw
- 2 x 10mm pan screw
- 8 x
- 4 x M5 x 20mm Bolt
- 4 x Centre Bolt
- 4 x Shoulder Bush
- 1 x **IMAGE SHOWERS** Sticker to be added after installation
N.B Guarantee is not valid unless logo sticker is placed on the door.
- 2 x
- 4 x Dome Cap
- 4 x Bush
- 4 x 8mm Bush
- 2 x Left & Right
- 1 x 3mm Allen key
- 2 x

TOOLS YOU WILL NEED



ATTENTION!

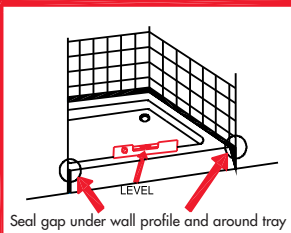
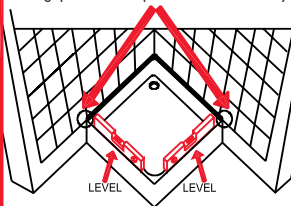
PLEASE INSPECT CONTENTS IMMEDIATELY ON RECEIPT FOR ANY DAMAGE CAUSED DURING TRANSIT. ANY CLAIMS MADE LATER CANNOT BE ACCEPTED

BEFORE INSTALLING THE SHOWER DOOR CHECK THAT THE TRAY IS LEVEL AND PROPERLY SEALED AT THE WALL. THE ENCLOSURE WHEN COMPLETED MUST NOT OVERHANG THE OUTSIDE OF THE TRAY. CHECK THE OPERATION OF THE DOOR BEFORE SEALING.

IMAGE SHOWERS ARE DESIGNED TO BE INSTALLED OVER TILING. THE TRAY MUST BE PROPERLY SEALED ALL AROUND THE EDGES WHERE IT MEETS THE TILING AND OR WALLS

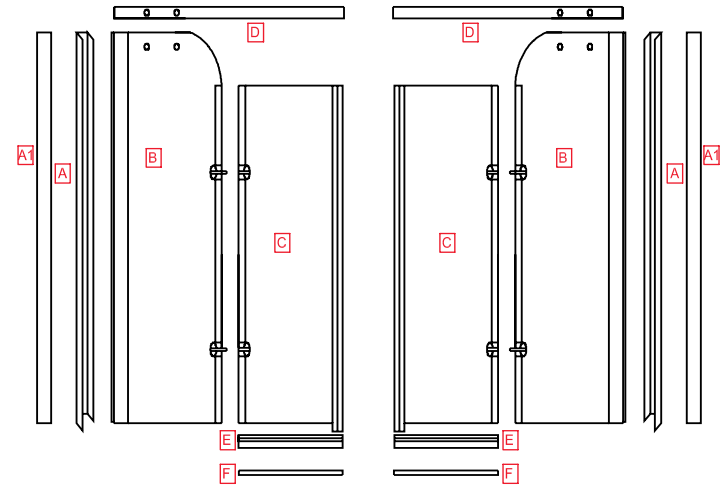
LEVEL TRAY AND SEAL

Seal gap under wall profile and around tray



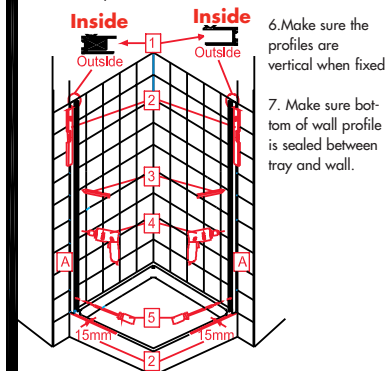
Seal gap under wall profile and around tray

MAJOR COMPONENTS

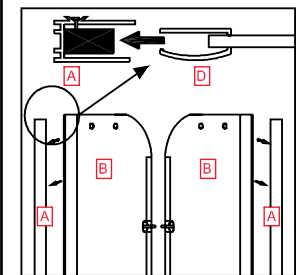


STEP 1 INSTALL WALL PROFILES

1. Make sure the wall profiles are the right way around.
2. Align wall profiles A vertically to tiled wall, in 15mm from the rim of the tray. Use a spirit level to check it.
3. Mark position for drilling through the 3 pre-drilled holes in each profile.
4. Remove the profiles and drill the 6 holes. Use a 5.5mm masonry bit and insert the plugs.
5. Replace the profiles and fix to the walls using the 1 1/2" screws provided.

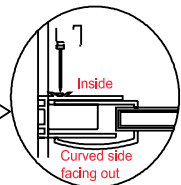


STEP 2 FIT FIXED SIDE PANEL



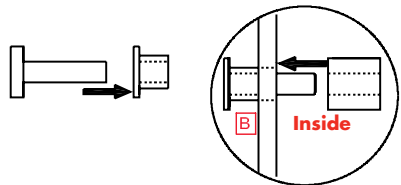
Slide in fixed panel B into the wall profile A. Secure with pre-installed screws

Fit the screws loosely

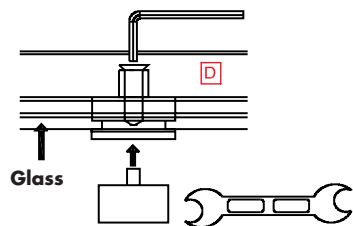


6. Make sure the profiles are vertical when fixed
7. Make sure bottom of wall profile is sealed between tray and wall.

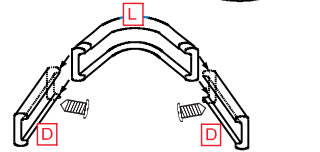
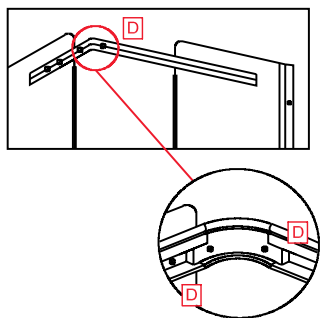
STEP 3 FIT TOP RAIL TO FIXED PANEL



To fit the top rail insert centre bolt into shoulder bush and then insert into glass from outside and fit through bush on inside. Fit the top rail onto centre bolts and fix with 2xM5x20mm bolts using allen key and 17mm spanner, twist on dome caps

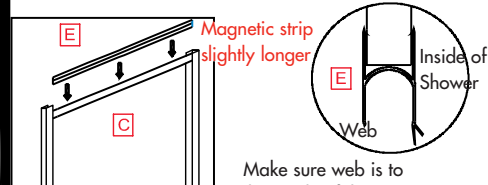


STEP 4 INSTALL CORNER JOINT



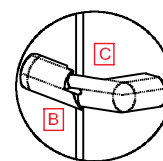
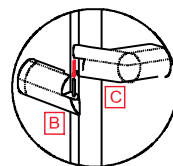
Slide the larger top corner joint L between the two main frames D as shown. Use the two 10mm pan screws to fit the joint.

STEP 5 FIT DOOR PANEL

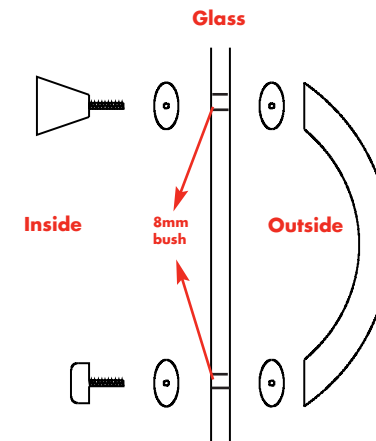


Make sure web is to the inside of the shower

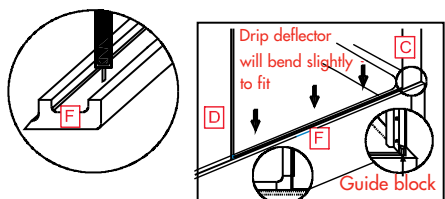
Fit gaskets E onto bottom of door panels shown. Make sure the magnetic strip is to the centre of shower door. Fit hinge on door panel C onto hinge on the fixed panel B as shown. The hinge on fixed panel is positioned above the hinge on the door panel and slots into it.



STEP 6 INSTALL HANDLES



STEP 7 FIT DEFLECTOR /LOWER CORNER JOINT

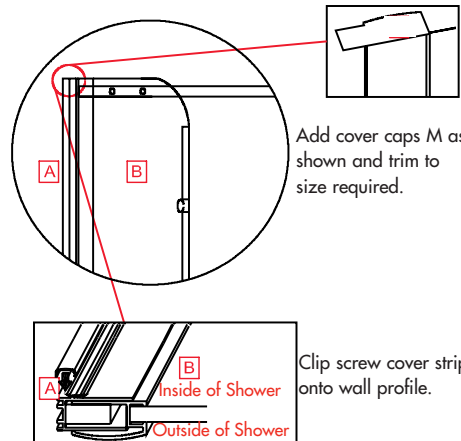


Put bead of silicone into slot on the back of drip deflector profile F as shown.

Insert each end of the drip deflector into the guide block as shown.

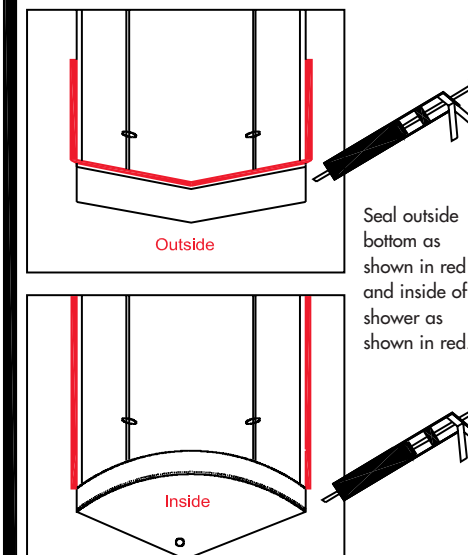
Slide the two drip deflector profiles F into the smaller corner joint K As shown.

STEP 8 INSTALL COVER PROFILE



Tighten all the screws on the profiles. Clip screw cover caps to wall profile A as shown.

STEP 9 SEALING DOOR



Seal outside bottom as shown in red and inside of shower as shown in red.