

# ALLURE WALK IN SHOWER

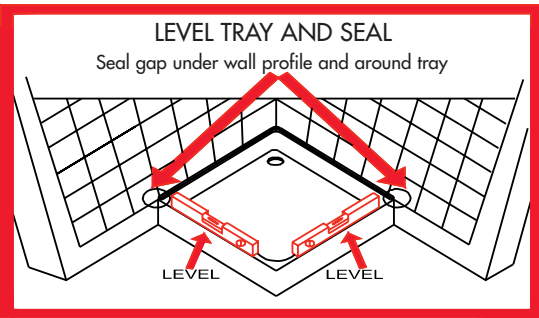


## ATTENTION!

**PLEASE INSPECT CONTENTS IMMEDIATELY ON RECEIPT FOR ANY DAMAGE CAUSED DURING TRANSIT. ANY CLAIMS MADE LATER CANNOT BE ACCEPTED**

**BEFORE INSTALLING THE SHOWER DOOR CHECK THAT THE TRAY IS LEVEL AND PROPERLY SEALED AT THE WALL. THE ENCLOSURE WHEN COMPLETED MUST NOT OVERHANG THE OUTSIDE OF THE TRAY. CHECK THE OPERATION OF THE DOOR BEFORE SEALING.**

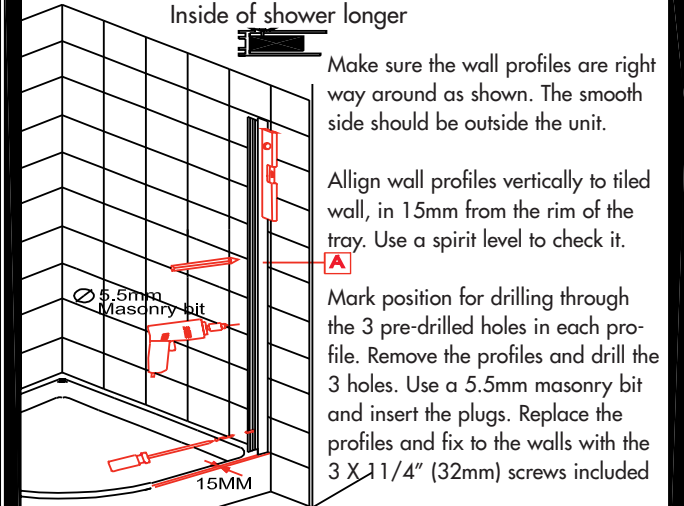
**IMAGE SHOWERS ARE DESIGNED TO BE INSTALLED OVER TILING. THE TRAY MUST BE PROPERLY SEALED ALL AROUND THE EDGES WHERE IT MEETS THE TILING AND OR WALLS**



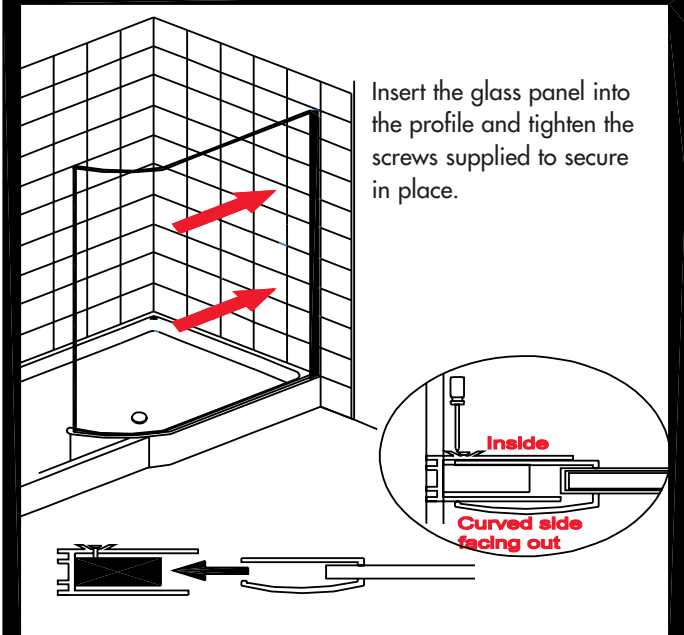
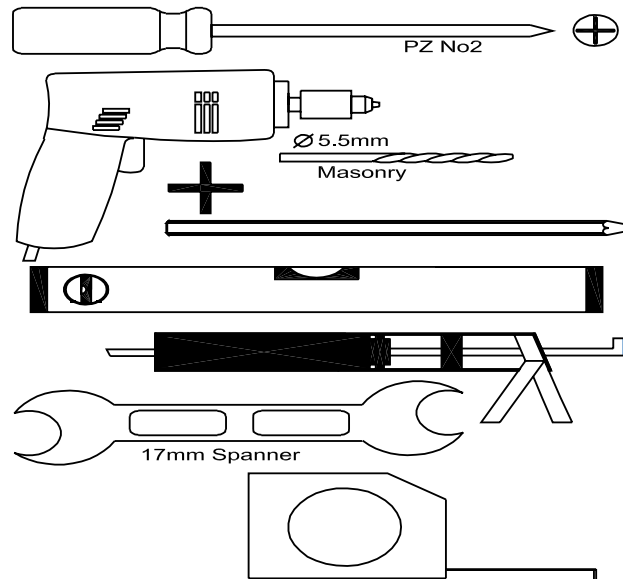
## WALK IN & SIDE PANEL FITTING KIT SUPPLIED

- 5 X 1 1/4" (32mm)
- 2 x M5 x 20mm
- 2 x
- 2 x
- 5 X  $\varnothing$  2.8mm
- 2 x Centre Bolt
- 2 x Bush
- 2 x 8mm Small Bush
- 2 x Left & Right
- 1 x
- 1 x **IMAGE SHOWERS** Sticker to be added after installation  
N.B Guarantee is not valid unless logo sticker is placed on the door.

## STEP 1 INSTALL WALL PROFILES



## TOOLS YOU WILL NEED



### STEP 2 INSTALL MAIN PANEL

**Outside**  
J5 J4 J1

**Inside**  
J2 J3

To install the support rail to the fixed panel insert **J4** into **J1** and then insert into glass from the outside of the fixed panel.

Then insert bush **J2** into bolt **J4** from inside of glass. Fit support rail to centre bolt on the inside of the glass. On each side using the M5 x 20mm bolts **J3** screw on dome cap **J5** to complete

Receiver bracket, mark and drill

Support rail, fix and screw into place.

Put wall bracket in end of rail (it may be necessary to remove rail from glass). Position rail and bracket level against wall. Remove rail from bracket and mark. Drill two holes with 5.5 masonry bit. Insert lugs and screw in bracket with 32mm screws, then re-assemble support rail to glass and into bracket. Then drill through pre-drilled holes with 2.8bit and secure with 2 X 13mm screws

### STEP 3 INSTALL SIDE PANEL

Install the side panel profile ensuring that it is level

### STEP 4 INSTALL SUPPORT ARM

Use 10mm masonry bit to fit arm to wall and line up bracket on top of glass and tighten nylon screws

Tighten the two nylon screws to the glass.

### STEP 5 SEALING

Make sure bottom of wall profile is sealed between the tray and wall

Seal full height of wall profiles on inside

Seal on outside