
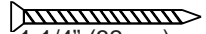

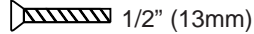

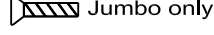

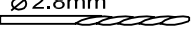

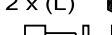
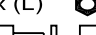




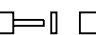
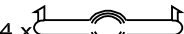


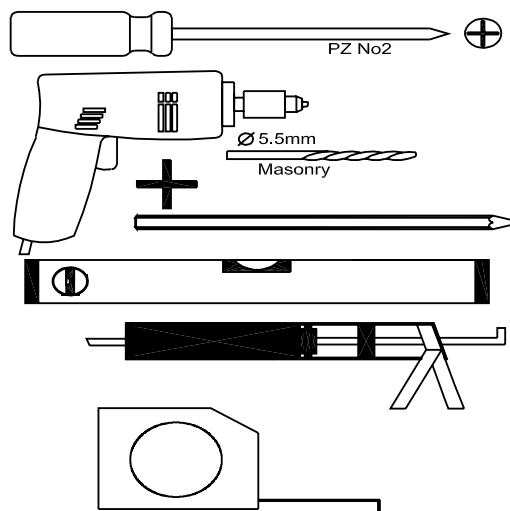


ULTRA BOW QUAD AND BOW JUMBO

FITTING KIT

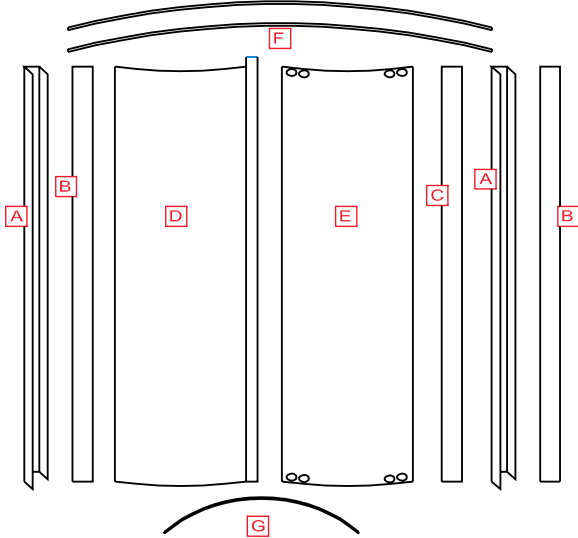
- 16 x (I)   1 1/4" (32mm)
- 16 x (O)   1/2" (13mm)
- 8 x (P)   Jumbo only
- 6 x (H)   $\varnothing 2.8\text{mm}$
- 2 x (M)   M4 X 16
- 2 x (L)  
- 2 x (J) 
- 1 x 
- 2 x (K) 
- 2 x 
- 4 x  2 x 
- 1 x  Sticker to be added after installation
N.B Guarantee is not valid unless logo sticker is placed on the door.

TOOLS YOU WILL NEED



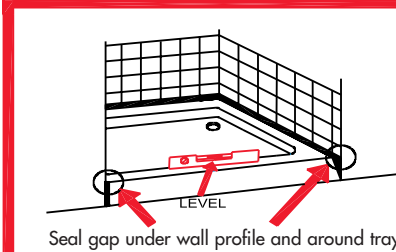
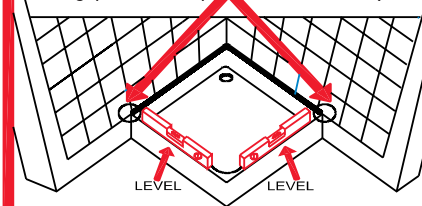
ATTENTION
Please inspect contents immediately on receipt for any damage caused during transit. Any claims made later cannot be accepted. The enclosure when completed must not overhang the outside edges of the tray.

MAJOR COMPONENTS



LEVEL TRAY AND SEAL

Seal gap under wall profile and around tray

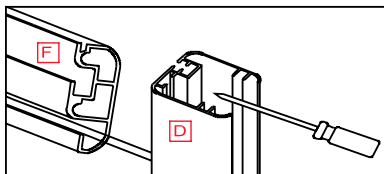


TRAY SEALING

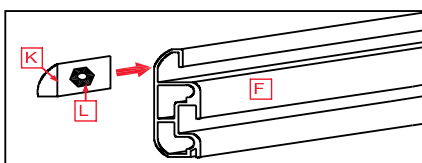
The top edge of the shower tray should be level in all directions before you attempt to install the surround. Image shower surrounds are designed to be installed over tiling. Check the operation of the door before sealing.

STEP 1 ASSEMBLE DOORS

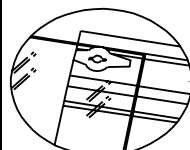
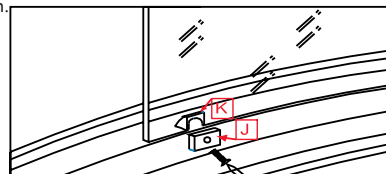
Fit both the curved rails F to the fixed panel D using 4 x 1 1/2" screws provided



Fit nut L into bracket K then slide bracket K into profile.



Slide bracket along profile and place under slot in glass. Then using bracket J fit into slot in glass and fit machine screw M into J and screw into K. DO NOT OVERTIGHTEN. Repeat for top & bottom.



Slide moving panel E into top & bottom rail ensuring that the side with the gasket and holes for handle installation are last to go in.

IMPORTANT
When adjusting rollers please ensure that adjusting screw is full tightened and the bottom rollers are tight in track

