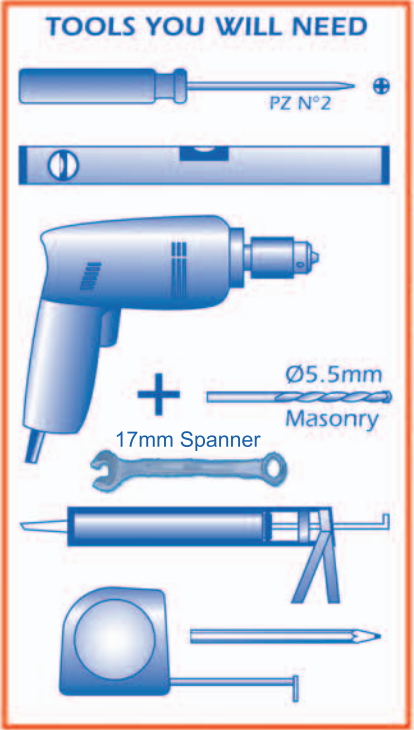
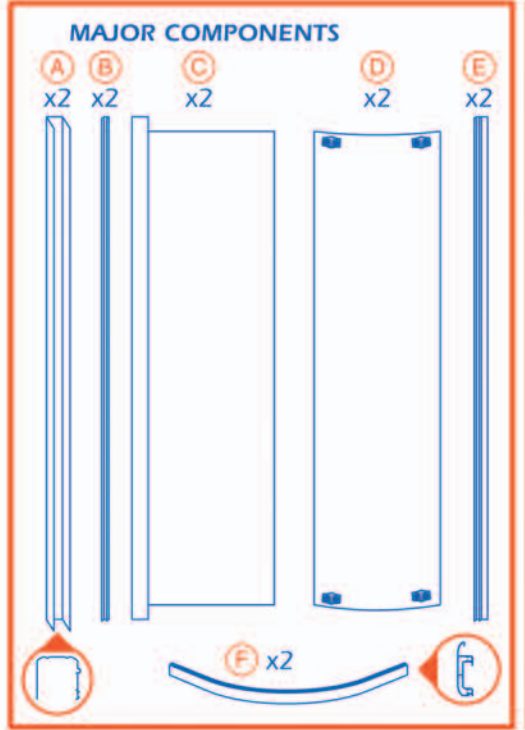


ULTRA QUADRANT DOOR FITTING INSTRUCTIONS

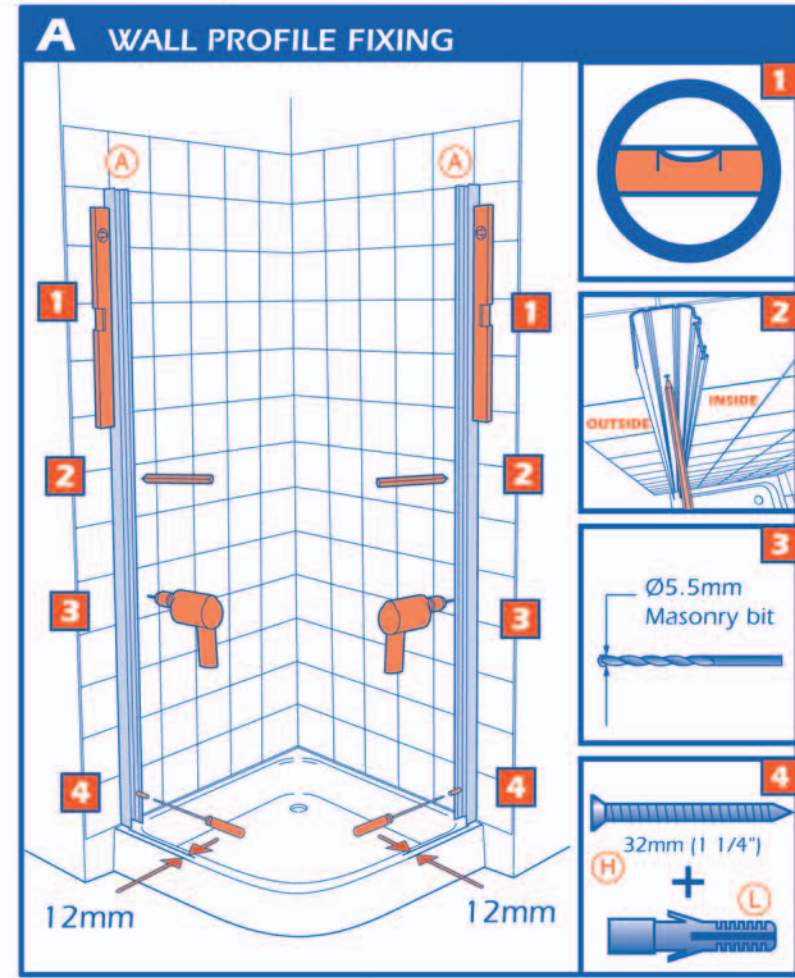
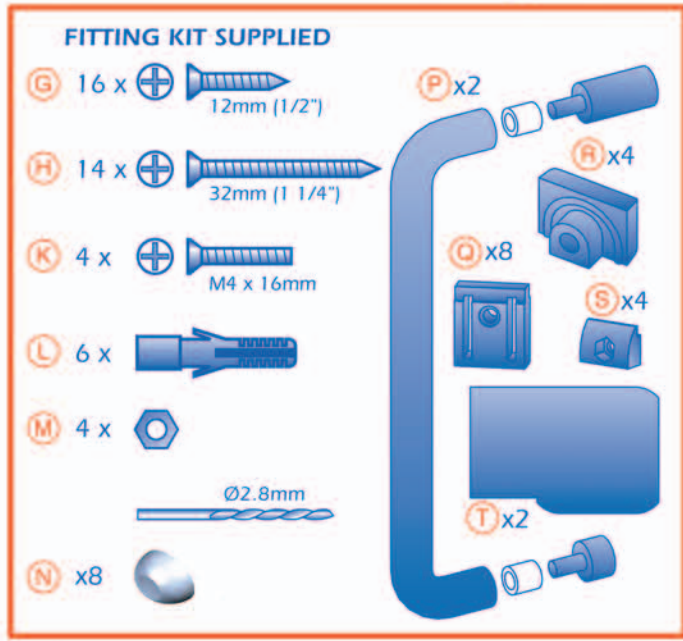
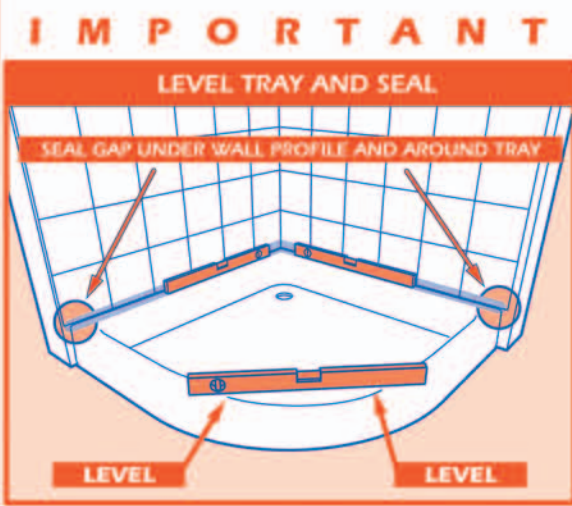


SETTING-UP PROCEEDURE

STUDY INSTRUCTION SHEET CAREFULLY BEFORE FITTING DOOR. N° 2855
 Before installing the shower door check that the shower tray is level and properly sealed at the wall.
 The enclosure when completed **must not** overhang the outside edges of the tray.
 Check the operation of the door before sealing.
 Use a quality silicon sealant.



ATTENTION!
 PLEASE INSPECT CONTENTS IMMEDIATELY ON RECEIPT FOR ANY DAMAGE OR LOSS CAUSED DURING TRANSIT. ANY CLAIMS MADE LATER CANNOT BE ACCEPTED.



SARK INTERNATIONAL LTD CANNOT ACCEPT ANY LIABILITY ARISING OUT OF IMPROPER INSTALLATION OF ITS PRODUCTS

