

ULTRA 4 PANEL JUMBO FITTING INSTRUCTIONS



SETTING-UP PROCEDURE

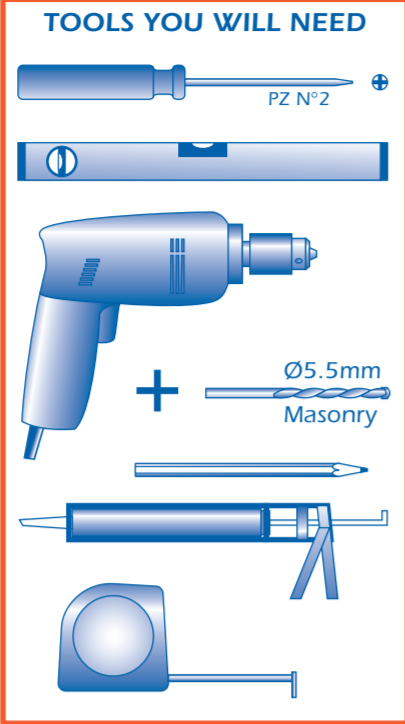
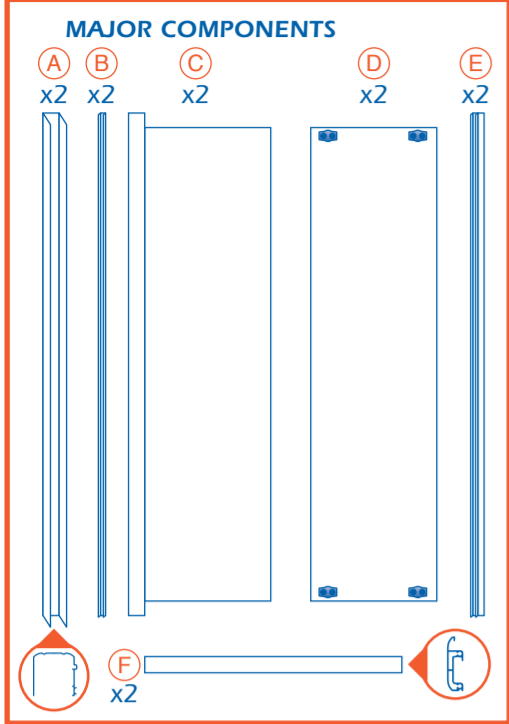
STUDY INSTRUCTION SHEET CAREFULLY BEFORE FITTING DOOR. N° 2857

Before installing the shower door check that the shower tray is level and properly sealed at the wall.

The enclosure when completed **must not** overhang the outside edges of the tray.

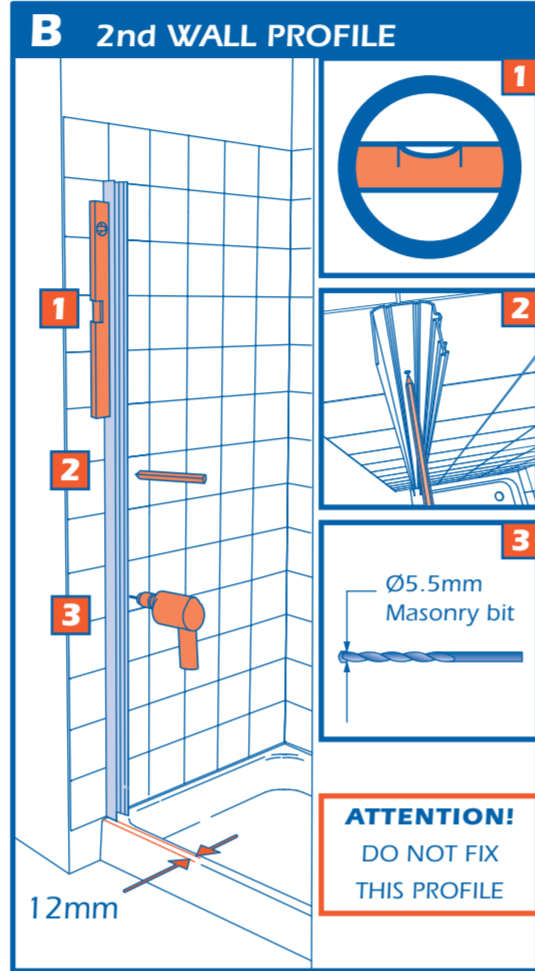
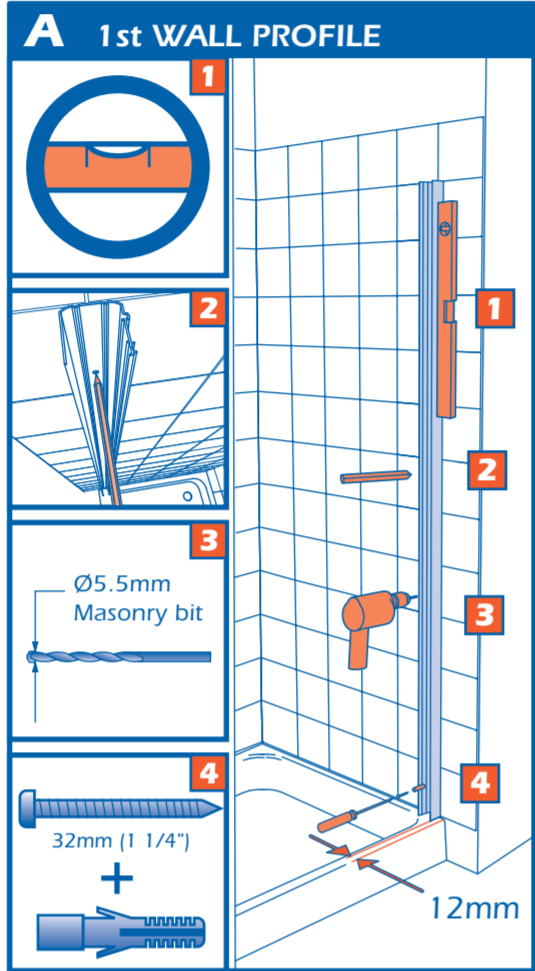
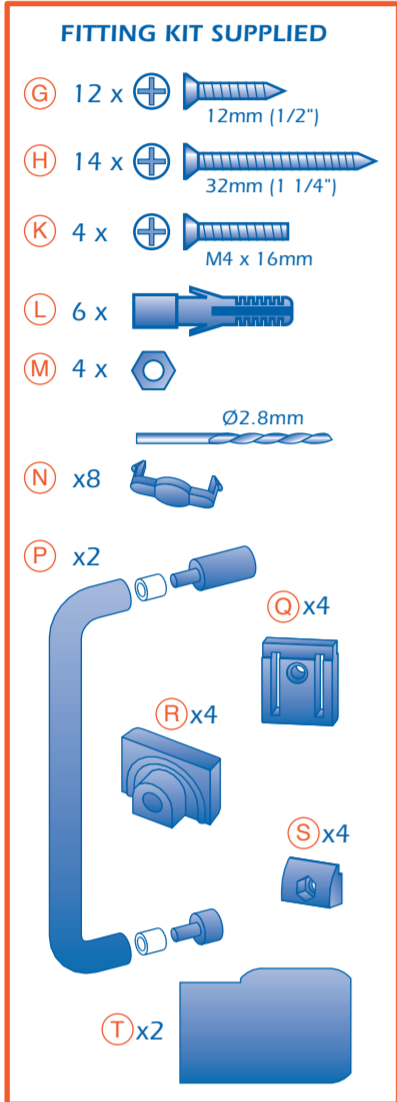
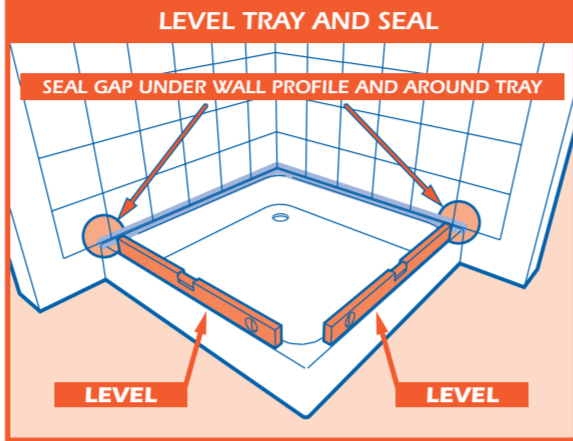
Check the operation of the door before sealing.

Use a quality silicon sealant.

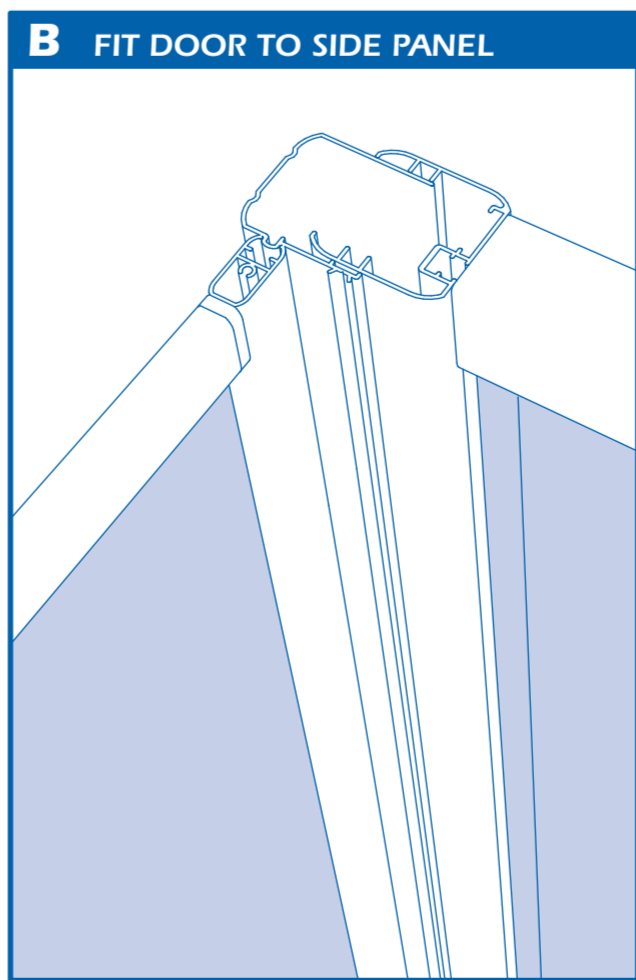
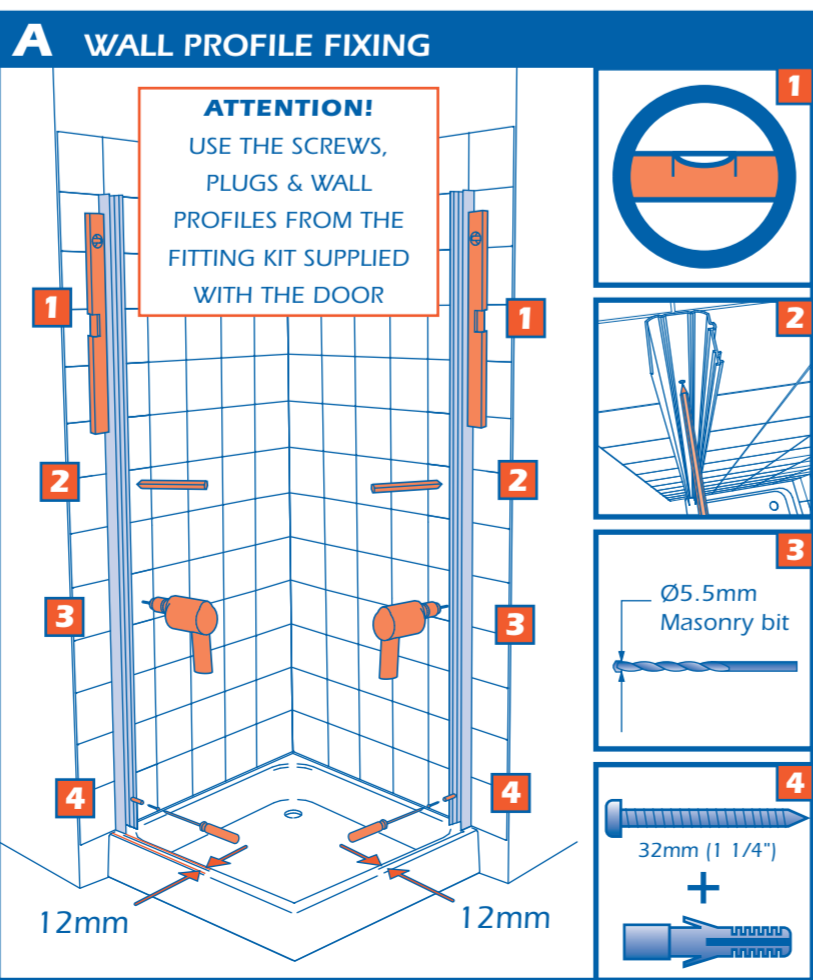
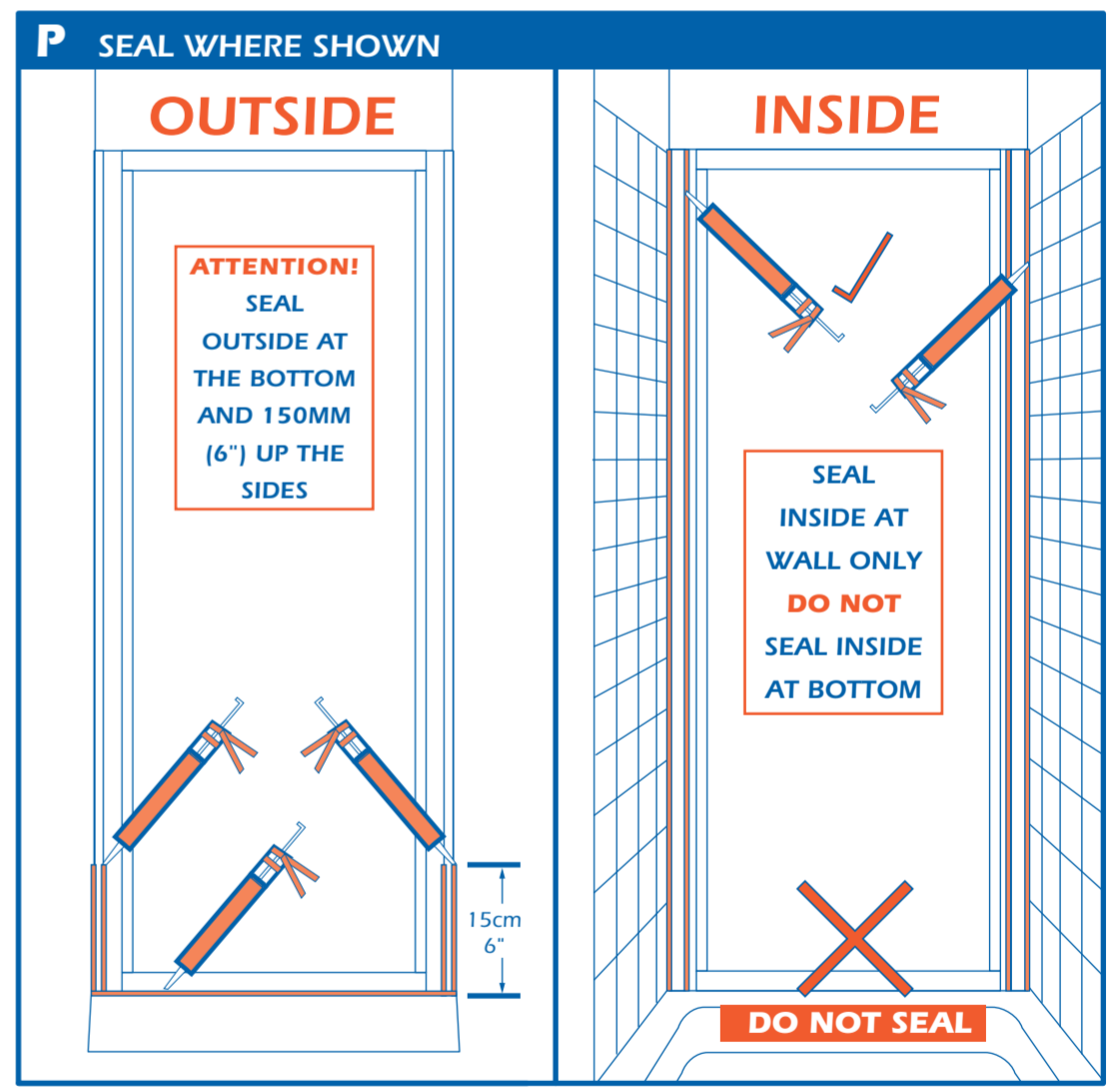
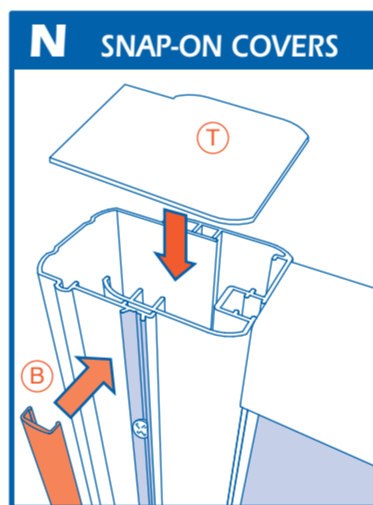
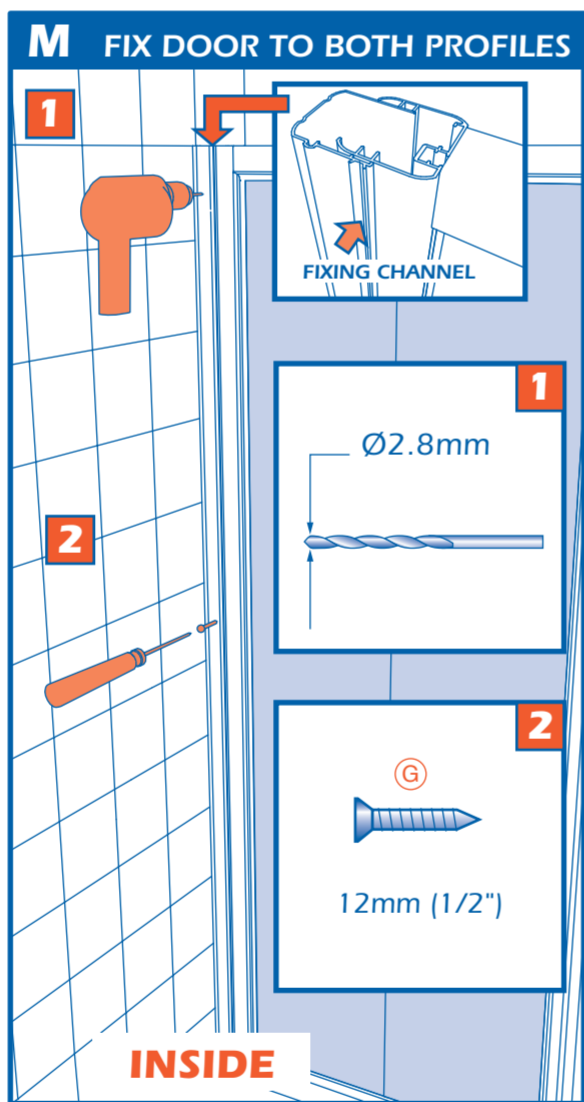
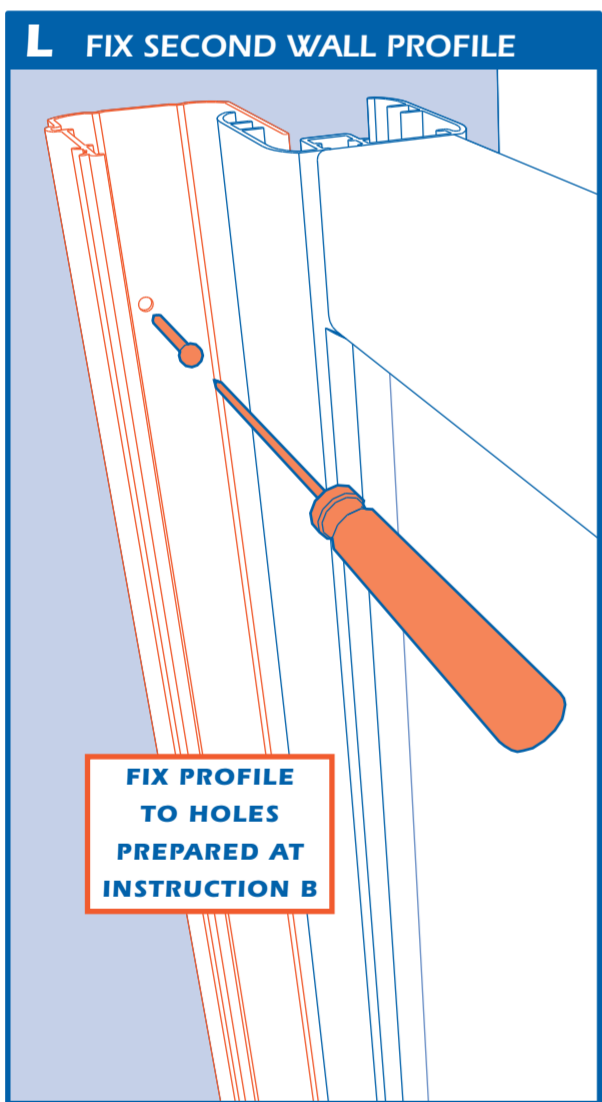
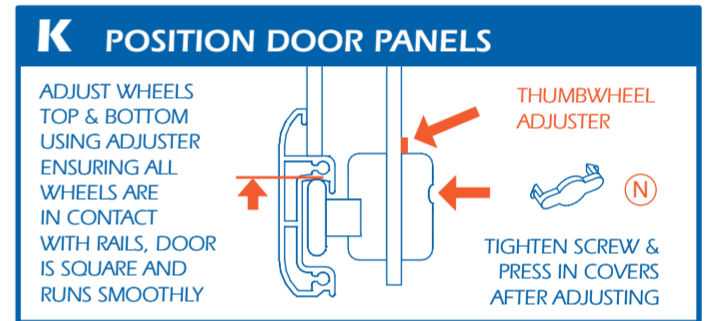
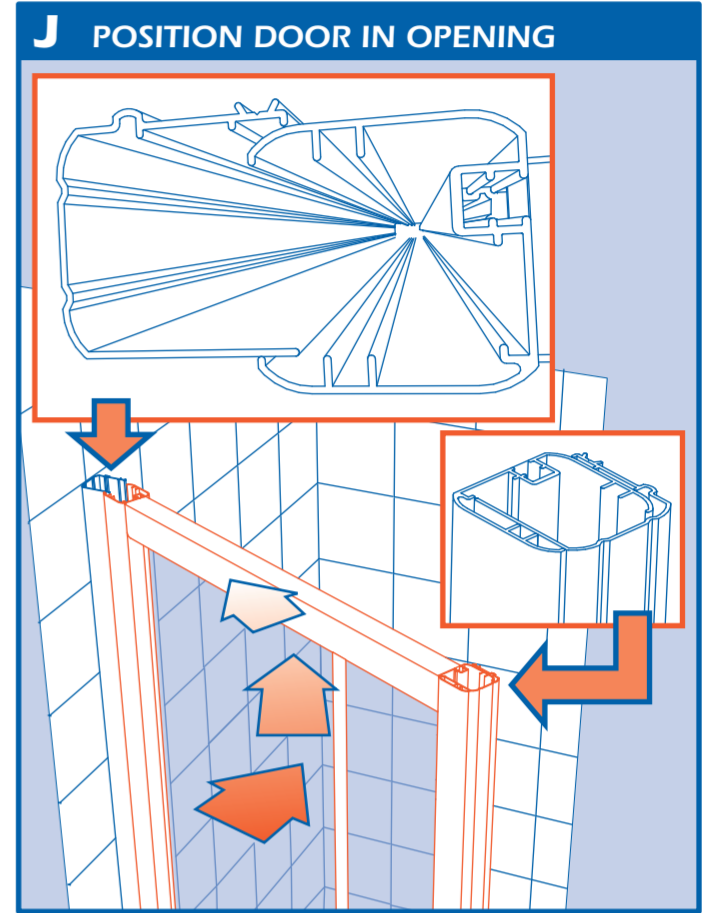
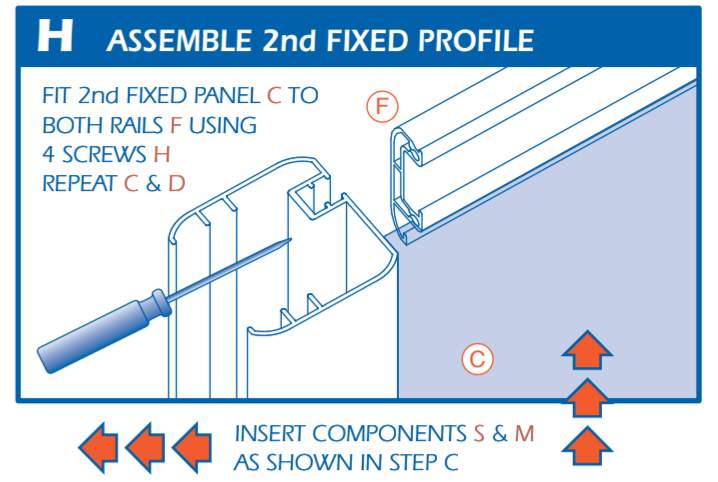
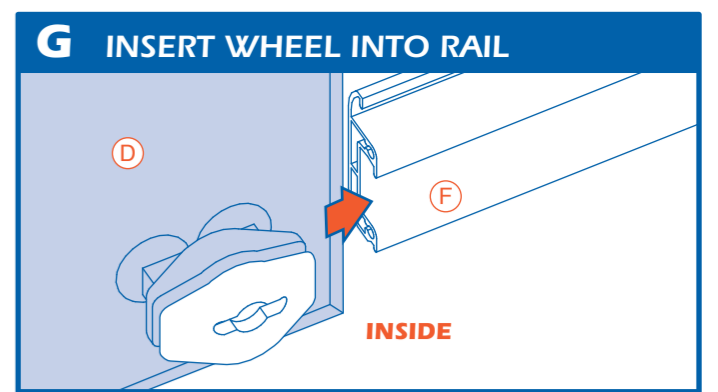
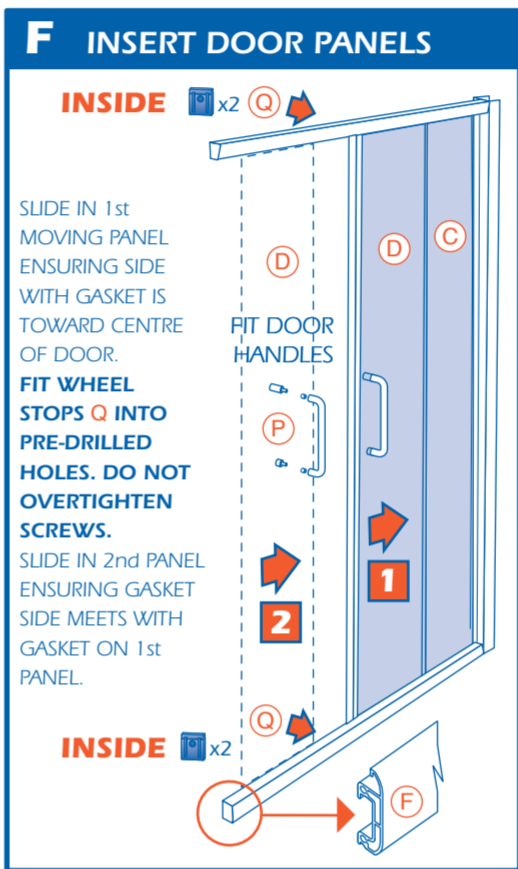
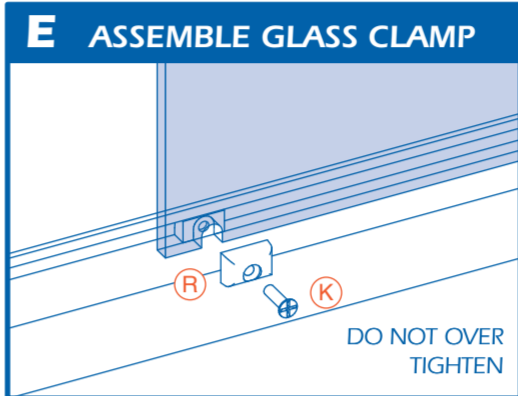
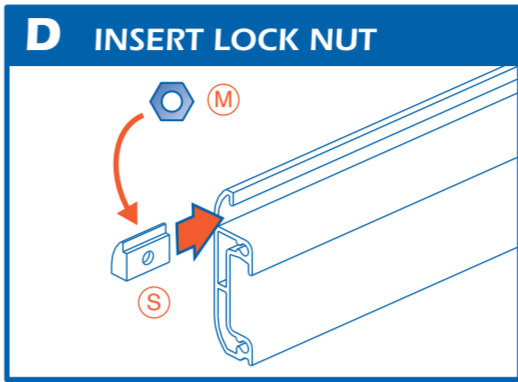
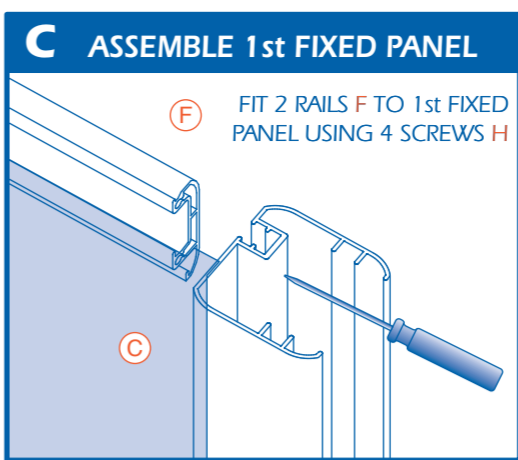


ATTENTION!
PLEASE INSPECT CONTENTS IMMEDIATELY ON RECEIPT FOR ANY DAMAGE OR LOSS CAUSED DURING TRANSIT. ANY CLAIMS MADE LATER CANNOT BE ACCEPTED.

IMPORTANT



SARK INTERNATIONAL LTD CANNOT ACCEPT ANY LIABILITY ARISING OUT OF IMPROPER INSTALLATION OF ITS PRODUCTS



SEE INSTRUCTIONS L & M ABOVE FOR COMPLETION OF ENCLOSURE