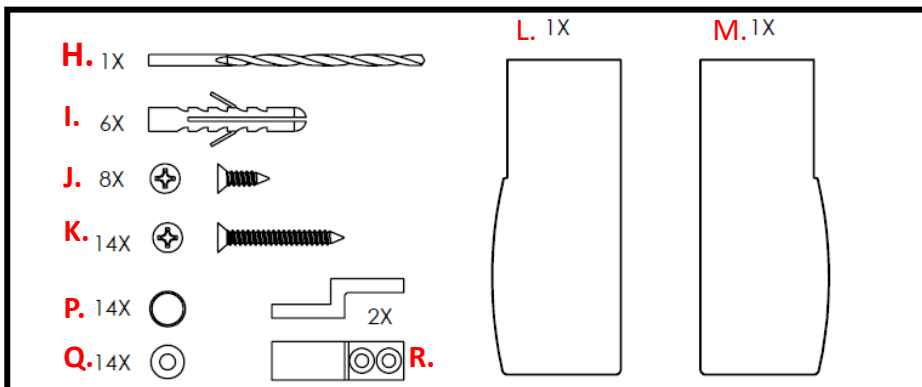
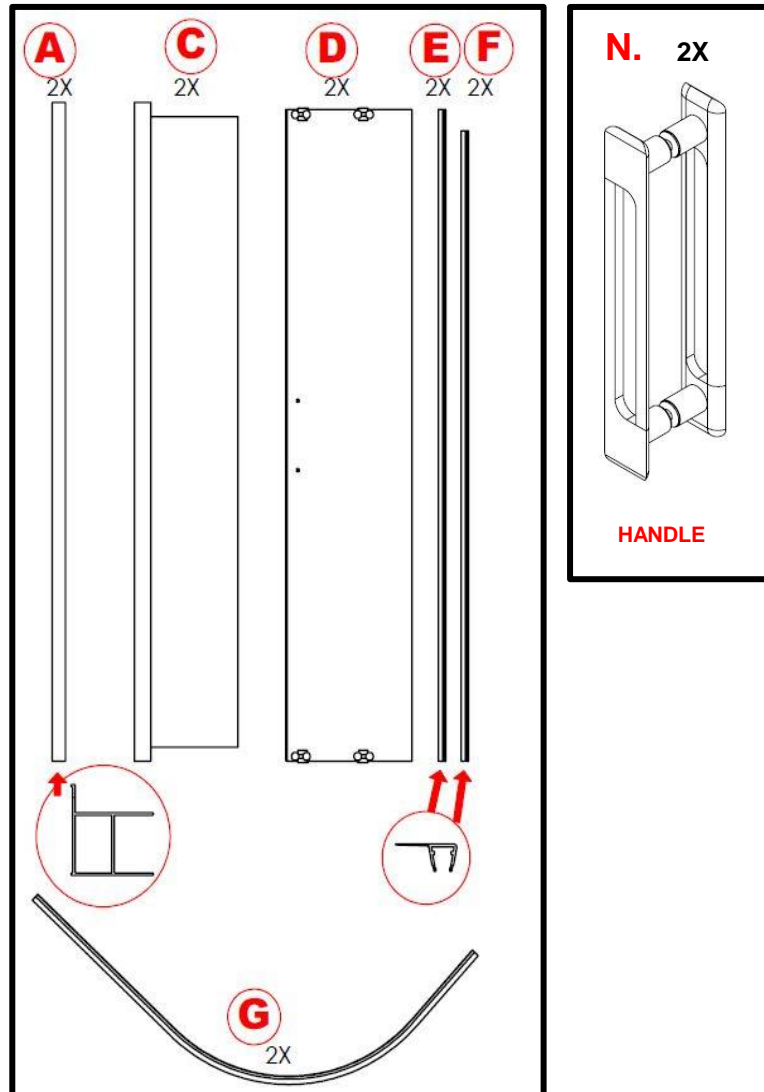


SIX QUADRANT (OFF SET) DOOR FITTING INSTRUCTIONS

(INSTRUCTION NO. 2872)

COMPONENTS INCLUDED



SETTING - UP PROCEEDURE

ATTENTION!

PLEASE INSPECT CONTENTS IMMEDIATELY ON RECEIPT FOR ANY DAMAGE CAUSED DURING TRANSIT. ANY CLAIMS MADE LATER CANNOT BE ACCEPTED

Please familiarise yourself with the fitting instructions before commencing fitting.

The door is designed to be installed by a competent person. If you are unsure about following the instructions or feel that you are unable to fit the door please employ a professional shower door installer.

IMPORTANT STUDY INSTRUCTION SHEET BEFORE FITTING DOOR AND MAKE THE FOLLOWING CHECKS

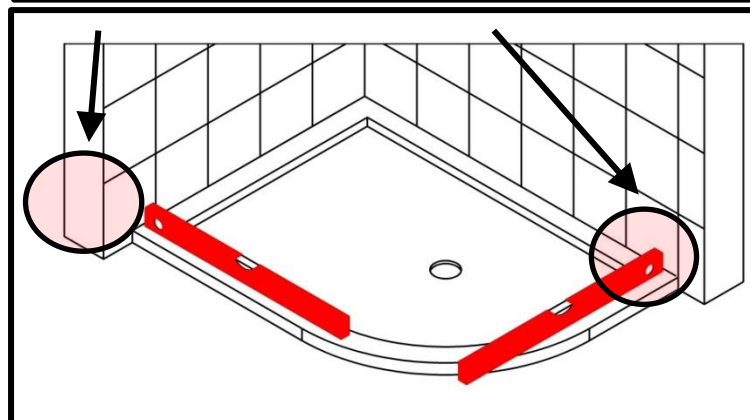
1. Check that you have the tools required.
2. Check that the installation site is compatible with size of door supplied.
3. Check all the enclosure components
4. Check that the installation kit is complete

THIS SHOWER DOOR IS DESIGNED TO BE INSTALLED OVER TILING. THE TRAY MUST BE PROPERLY SEALED ALL AROUND THE EDGES WHERE IT MEETS THE TILING OR WALLS. DO NOT SEAL THE BASE OF THE PRODCUT ON THE INSIDE.

BEFORE INSTALLING THE SHOWER DOOR CHECK THAT THE SHOWER TRAY IS LEVEL AND PROPERLY SEALED AT THE WALL

THE ENCLOSURE WHEN COMPLETED MUST NOT OVERHANG THE OUTSIDE EDGES OF THE TRAY

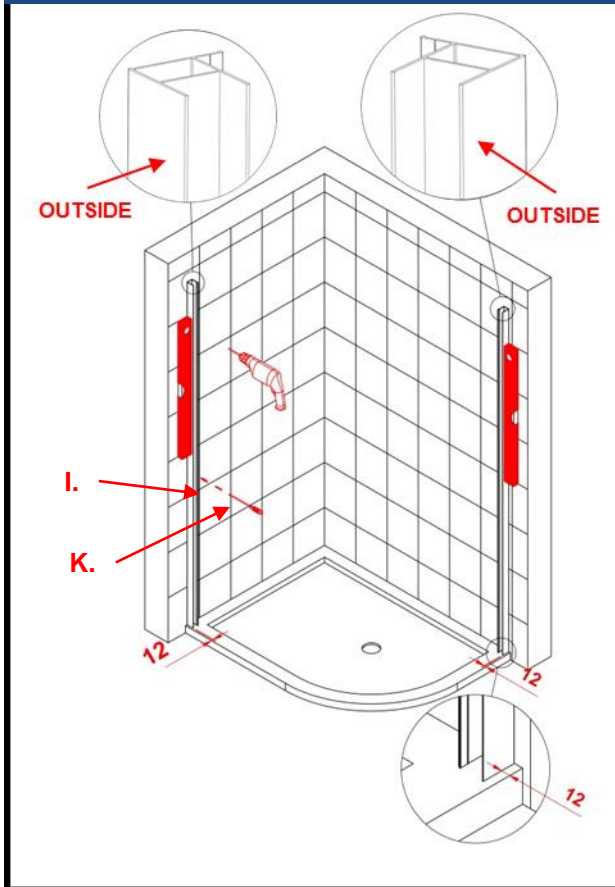
USE A QUALITY SILICON SEALANT



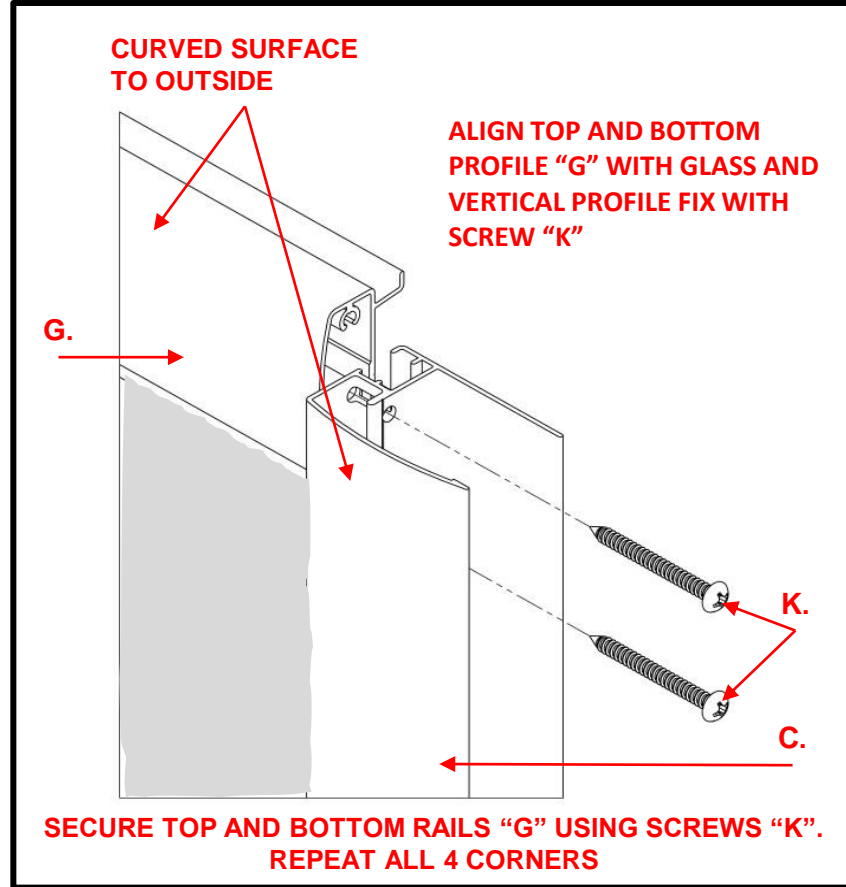
IMPORTANT

TRAY SHOULD BE LEVEL - SEAL BETWEEN WALL AND TRAY AT BOTTOM OF WALL PROFILE

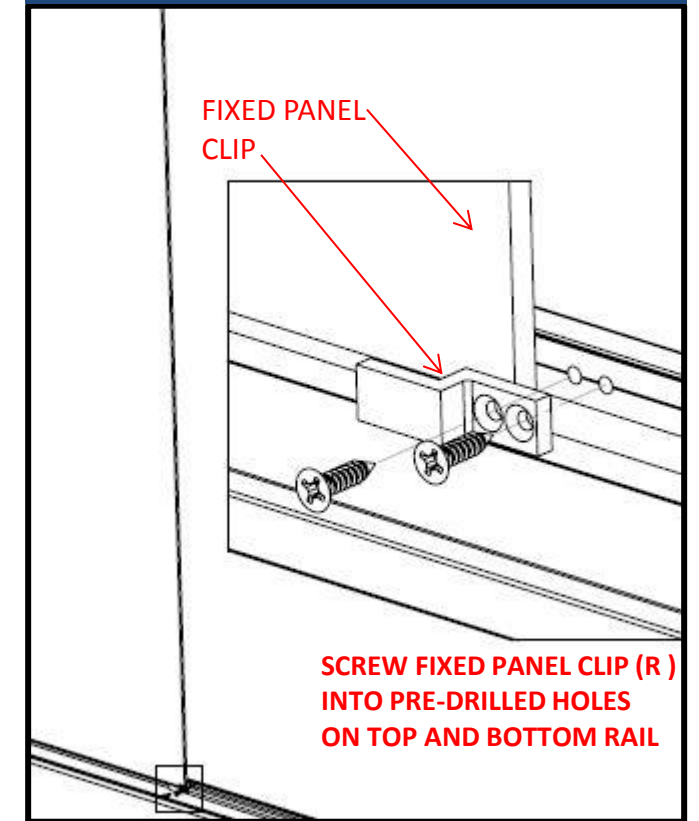
A: WALL PROFILE FIXING



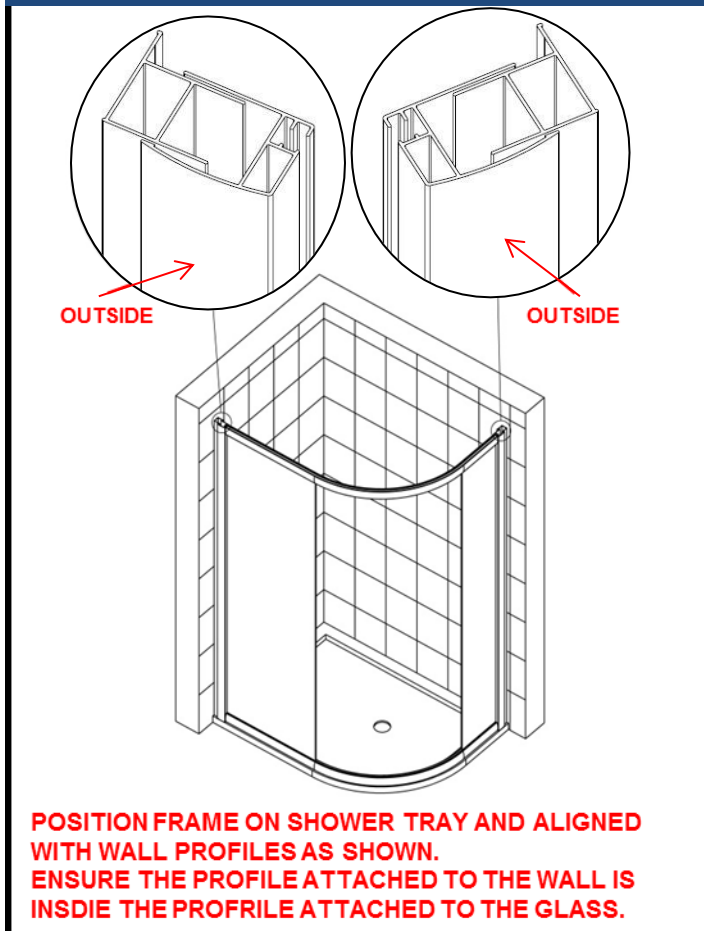
B: ASSEMBLE FRAM



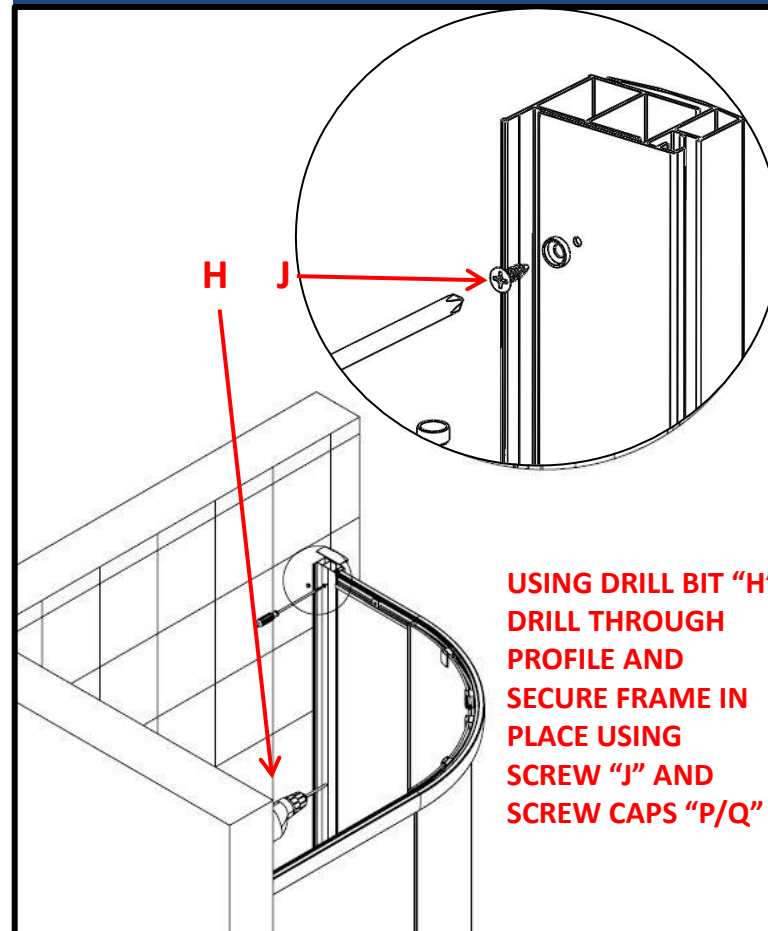
C: ATTACH FIXED PANEL CLIP



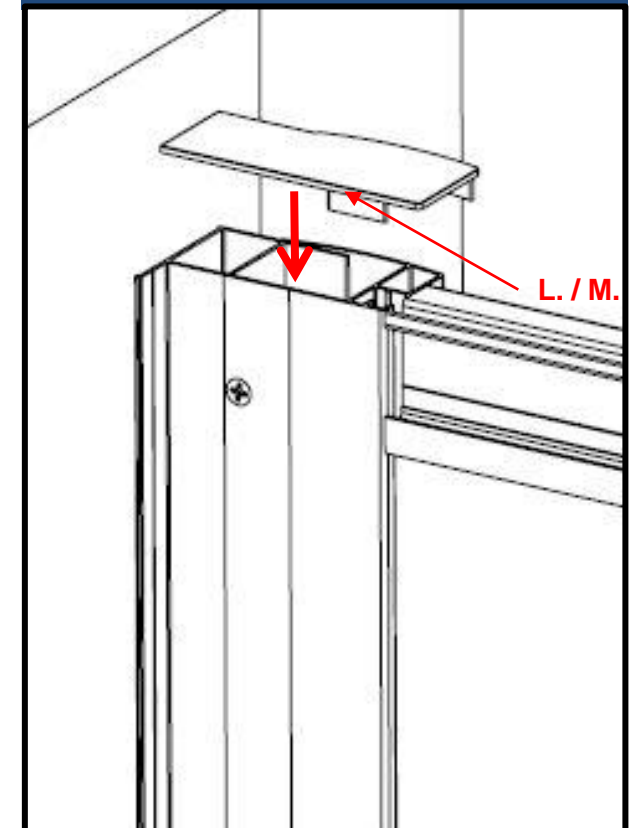
D: POSITION FRAME ON TRAY



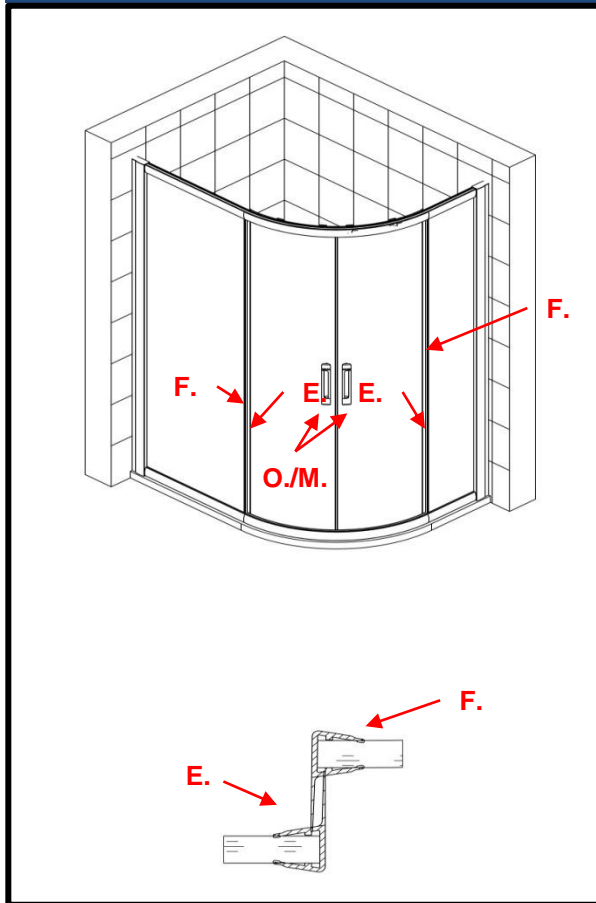
E: FIX FRAME IN PLACE



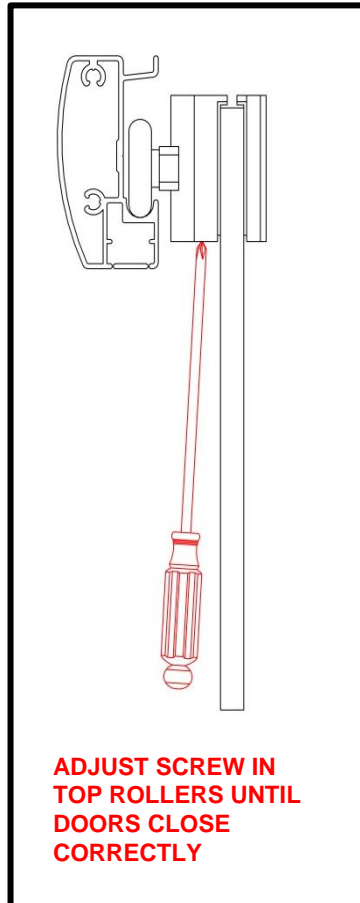
D: PROFILE COVER CAPS



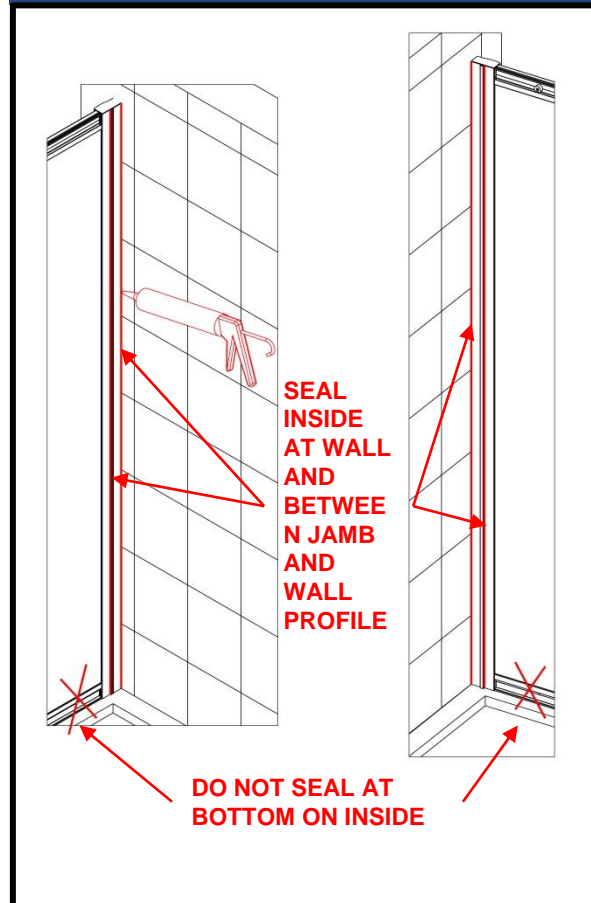
G: FIT DOORS AND GASKETS



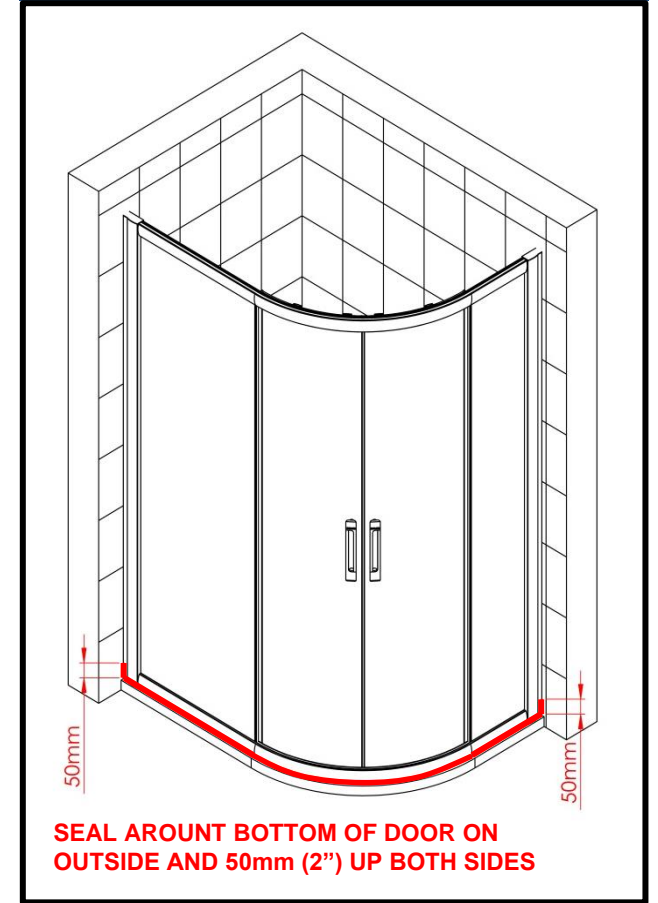
H: ADJUST ROLLER



I: SEAL INSIDE



J: SEAL OUTSIDE



FIT DOORS TO TOP RAIL BY HANGING ADJUSTER ROLLER ON TOP RAIL AND THEN COMPRESS SPRING IN BOTTOM ROLLER UNTIL ROLLER WILL FIT INTO BOTTOM RAIL

FIT GASKETS "E" AND "F" TO SIDE PANEL AND DOOR

FIT HANDLES TO DOOR KEEPING "IMAGE" LOGO TO OUTSIDE

IMPORTANT

- CHECK OPERATION OF DOOR BEFORE SEALING
- ALWAYS USE A HIGH QUALITY SILICONE SEALANT